

AT V Four Wheel Vehicle

Reassembling operation Manual —Packing list

In order to be convenient for packing and shipping, when packing this motorcycle, remove the components such as rear shock absorber, front shock absorber, front wheel, front swing arm, steering bar, seat, etc. The assembling of complete vehicle is according to the following procedures.

Fig1: Un packing

Open the packing container, remove the upper cover plate, front wheel, seat, etc. (as shown on Fig1). Then check the parts and components carefully according to the packing list.

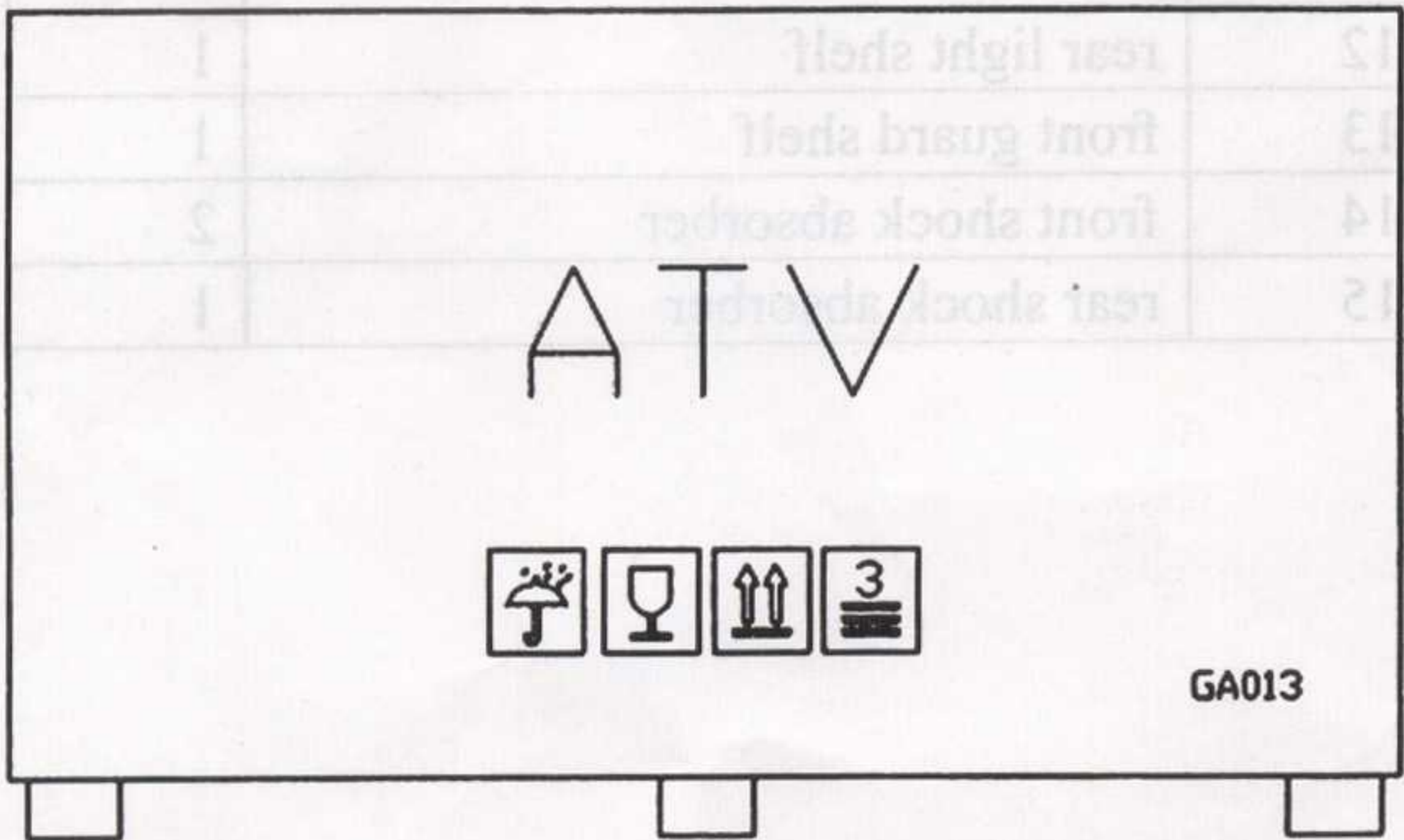


Fig1

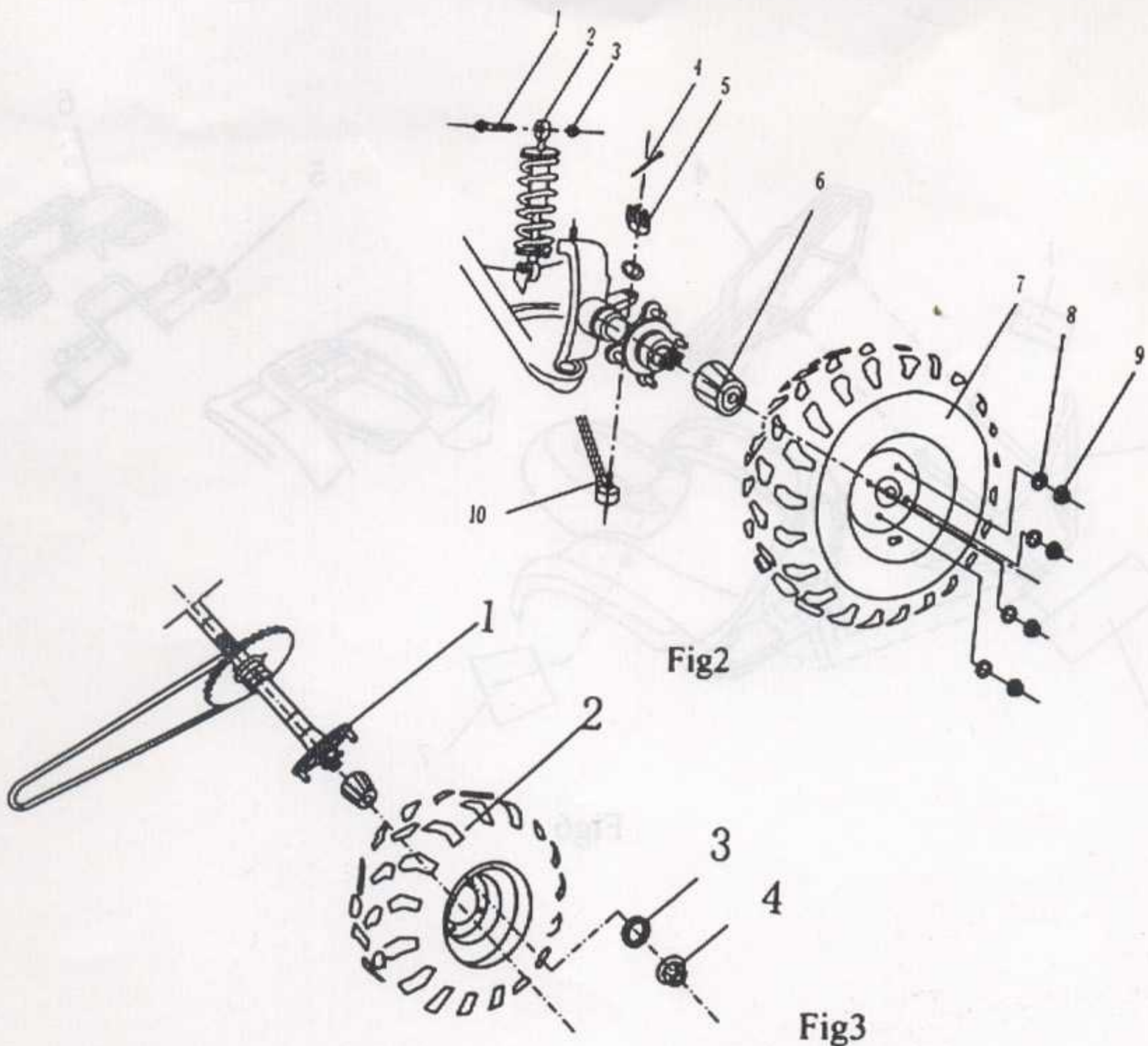


Fig2: Installing the front shock absorber as show on Fig2

The installing of left front shock absorber is shown on Fig2 .First, removethe installing boit and nut of the front shock absorber (1,3) and install on the chassis through the hole of the front shock absorber .then, tighten them on Fig2 . Then, install the right front shock absorber on the chassis with the same method.

Installing the front wheel

The installing of left front wheel is shown on Fig2 . remove the installing nut(5) and install on the conjunction lever (10) and then tighten it ,then, install the cotter pin (4) on the nut (5). After that ,install the dust cover (6) on the front brake ,then ,install the washer and nut of the front left wheel (8,9) on the front rim(7) . installing the right front wheel on the front wheel with the same method.

Fig3: Installing the rear wheel

Installing the rear wheel (2) on the rear disc brake (1).Then, install the washer and nut (3,4) on the rear wheel(2)

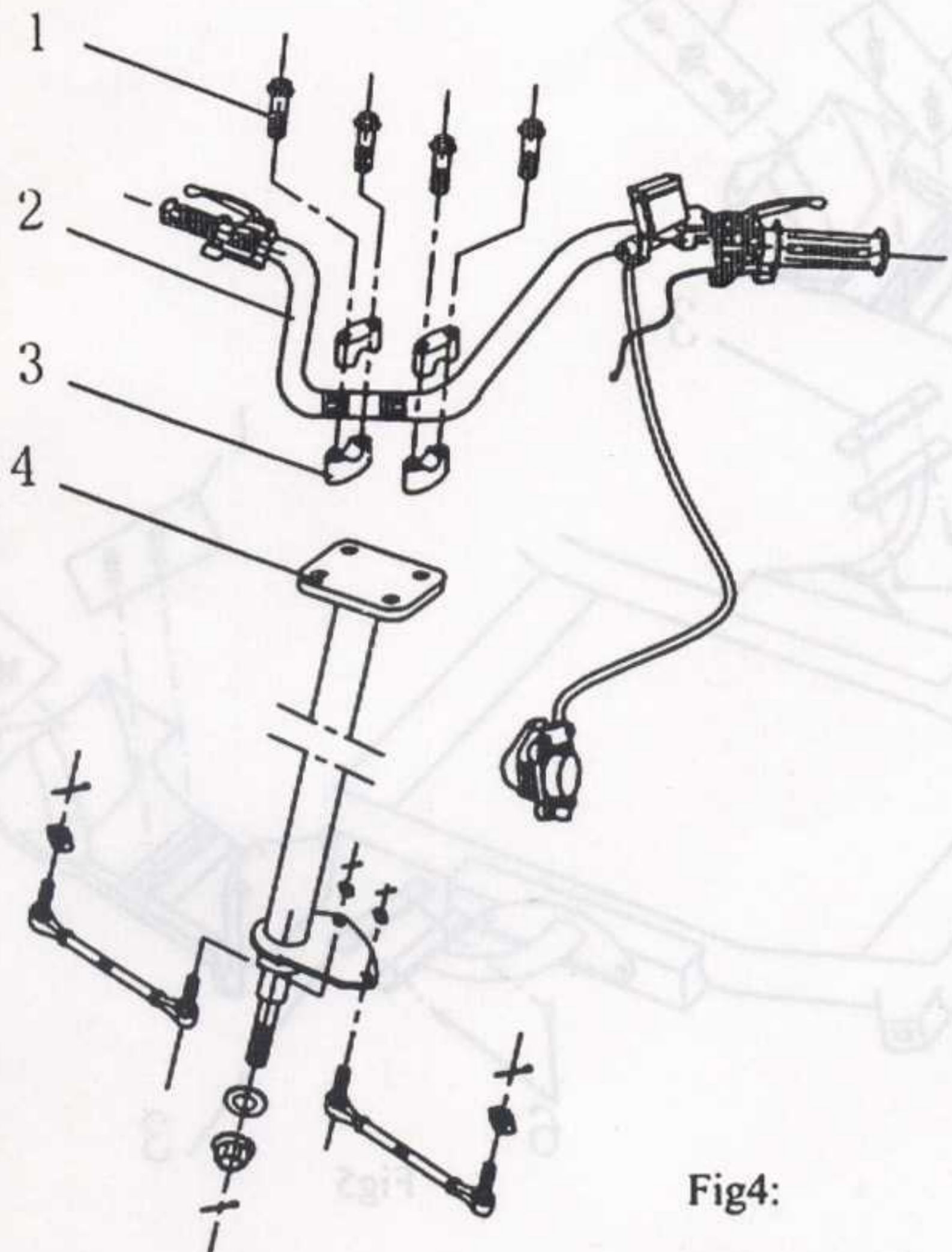


Fig4:

Fig4: Installing of steering bar

See Fig4: about instalation of steering bar. loosening the steering bar (2) first and pressing down four boits (1) with press block (3) to the steering shaft(4). then , tightening up them.

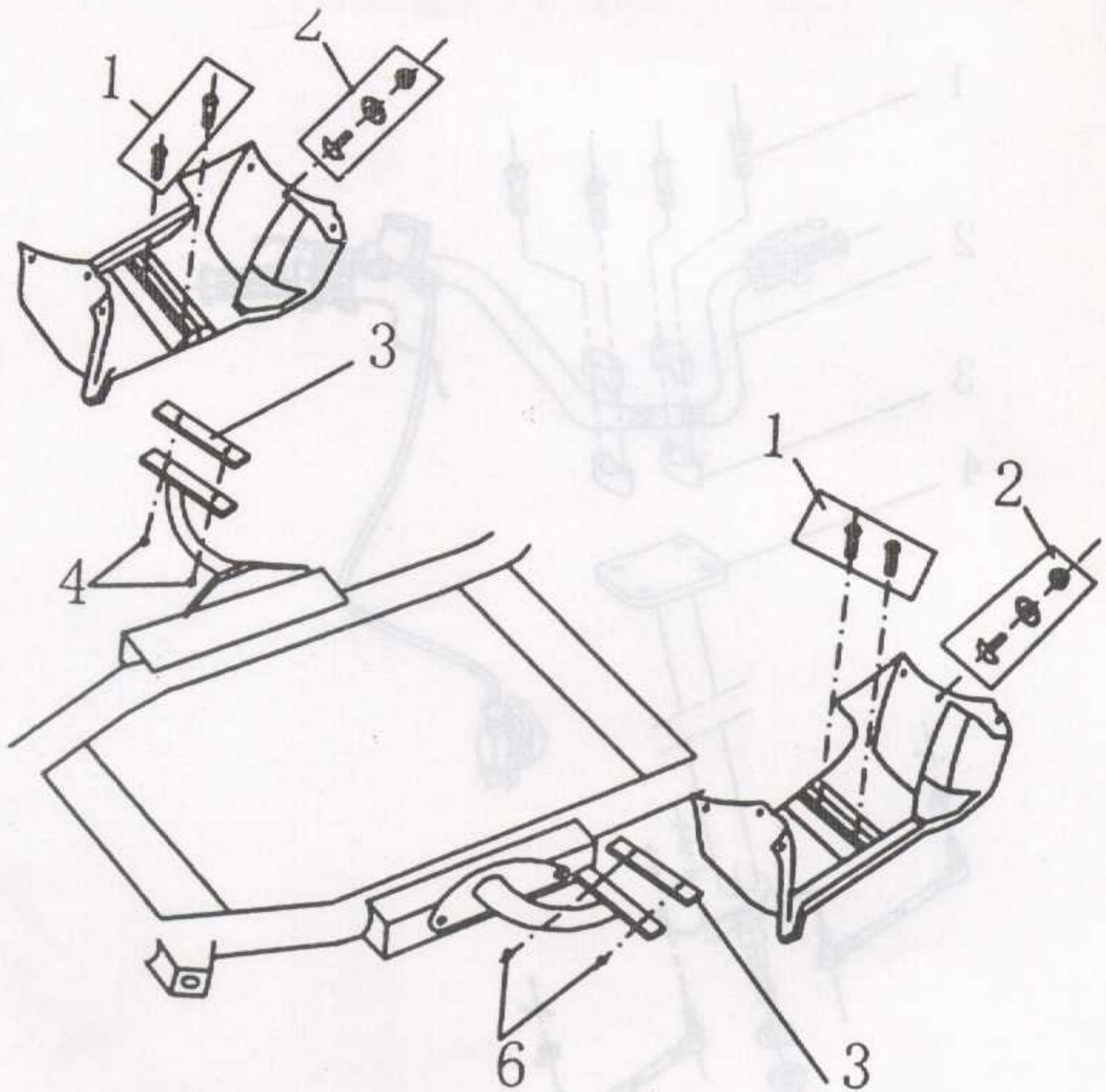


Fig5

Fig5: Installing the foot pedal

Installing two bolts(1) on the foot plate(4)(right) with the butter washer (3). Installing three screws(2) on the fender to connect the foot pedal and the fender .then, install the left foot pedal with the same method.

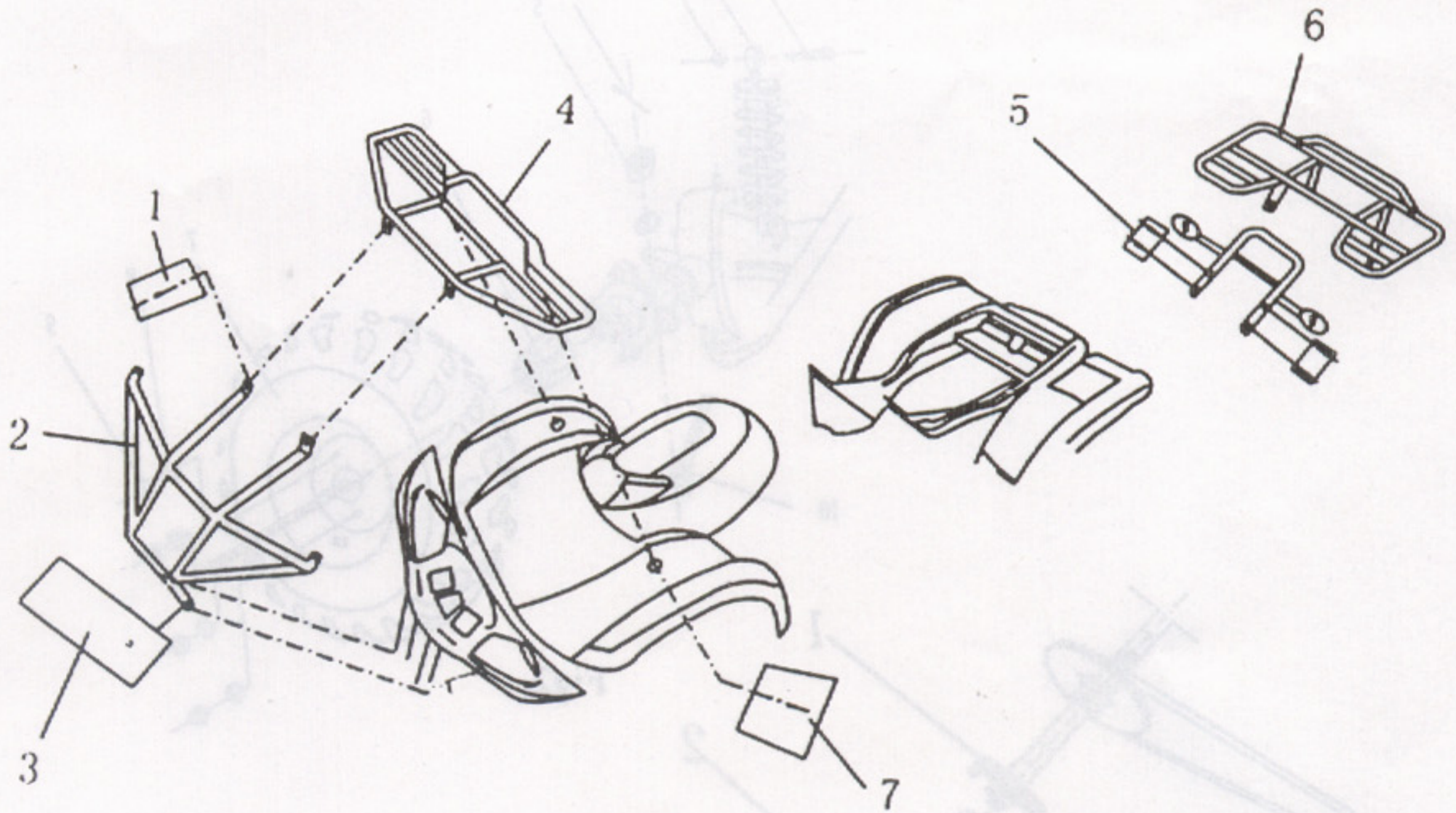


Fig6

Fig6: Installing the fender assy

Installing the front shelf (4) on the front fender with two nuts(7). then,installing the front guard shelf (2) on the chassis with two boits (3). Then installing the rear shelf(6) on the chassis.After that ,installing the rear light shelf on the chassis with four boits and nuts.

ser no	Description	Q\ty
1	completed ATV	1
2	peassembling operation manual	1
3	packing list	1
4	operation manual	1
5	front wheel(L)	1
6	front wheel(R)	1
7	rear wheel (L)	1
8	rear wheel(R)	1
9	seat	1
10	front shelf	1
11	rear shelf	1
12	rear light shelf	1
13	front guard shelf	1
14	front shock absorber	2
15	rear shock absorber	1

