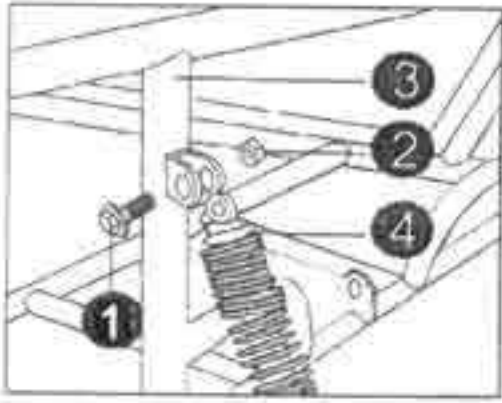


9、Instruction for the installation

step.1



NO.	Part Name	Quantity	Note
1	Bolt M10×40×1.25	1	
2	Nut M10×1.25	1	
3	Front frame assembly		
4	Rear absorber	1	

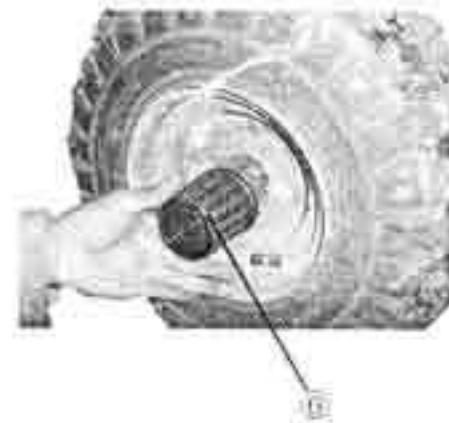
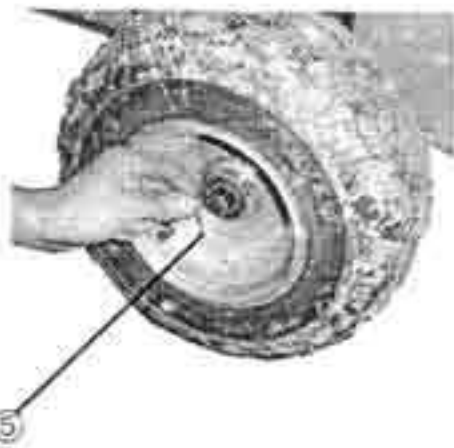
Instruction for the installation:
 1. ① insert ③ and ④, then fix ① with ②.
 2. The left side and right sides are same.

step.2

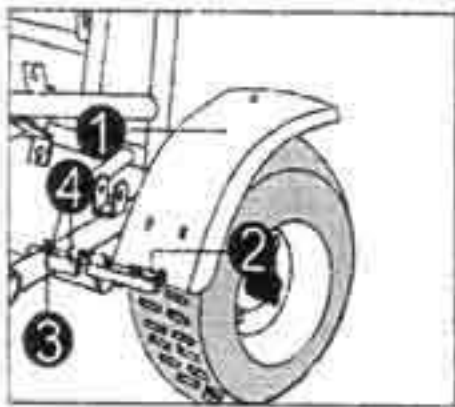


No.	Part Name	Quantity	Remark
1	NUT M16	1	
2	SPACER 16	1	
3	REAR AXIS	1	
4	REAR WHEELS	1	
5	PIN	1	
6	CAP	1	

Instruction for the installation:
 1. ④ insert ③, then fix ④ on ③ with ② and ①.
 2. The left side and right side are the same.



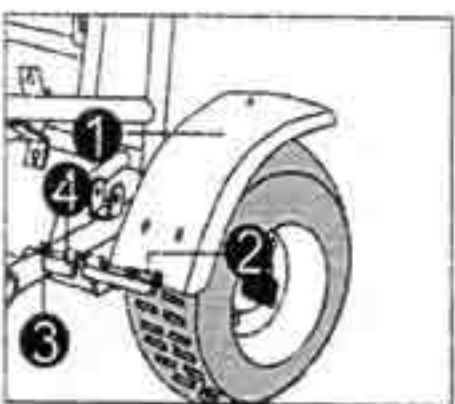
step.3



No.	Part Name	Quantity	Note
1	Front mudguard	1	The same to the right
2	Bolt M6×40	1	
3	Nut M6	1	
4	Rear body overhang	1	

Instruction for the installation:
 1. ① insert ④, then fix ② insert ① and ④ with ③.
 2. The left side and right sides are same.

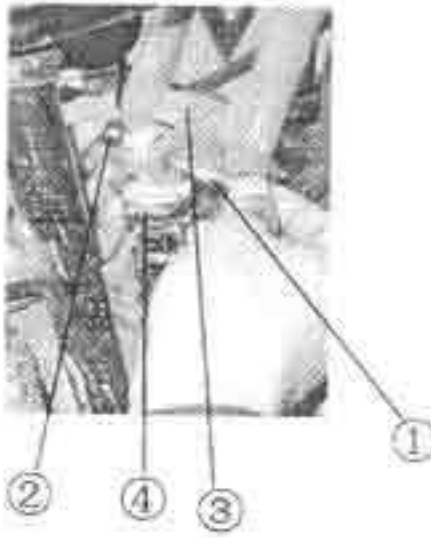
step.4



No.	Part Name	Quantity	Note
1	Front mudguard	1	The same to the right
2	Bolt M6×40	1	
3	Nut M6	1	
4	Rear body overhang	1	

Instruction for the installation:
 1. ① insert ④, then fix ② insert ① and ④ with ③.
 2. The left side and right sides are same.

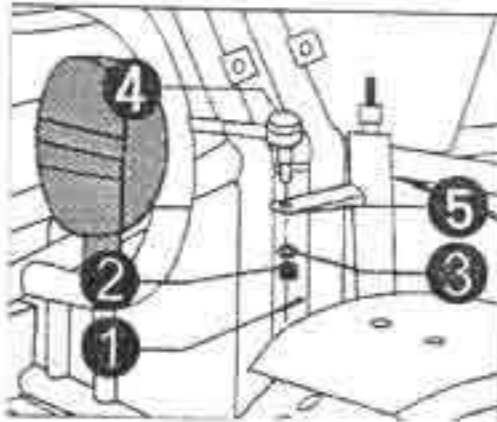
step.5



No.	Part Name	Quantity	Note
1	BOLT M10×1.25×40	1	
2	LOCK NUT FLANGE M10×1.25	1	
3	Frame Assembly		
4	Front Shock Absorber	1	

Instruction for the installation:
 1. ① insert ③ and ④, then fix ① with ②.
 The left side and right sides are same.

Step.6



NO.	Part Name	Quantity	Note
1	Split pin	1	The same to the right
2	Nut	1	
3	washer	1	
4	Steering box	1	
5	Turning supporting axle	1	

Instruction for the installation:
 1. ④ insert ⑤, then fix ④ on ⑤ with ②, ③.
 2. ① insert ④, then ① on ② button.
 3. The left side and right sides are same.

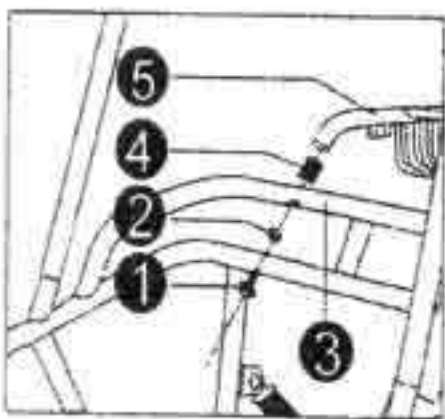
Step.7



No.	Part Name	Quantity	Remark
1	NUT M14	1	
2	SPACER	1	
3	TURNING SHAFT	1	
4	FRONT WHEELS	1	
5	PIN	1	
6	CAP	1	

Instruction for the installation:
 1. ④ insert ③, then fix ④ on ③ with ② and ①.
 2. The left side and right side are the same.

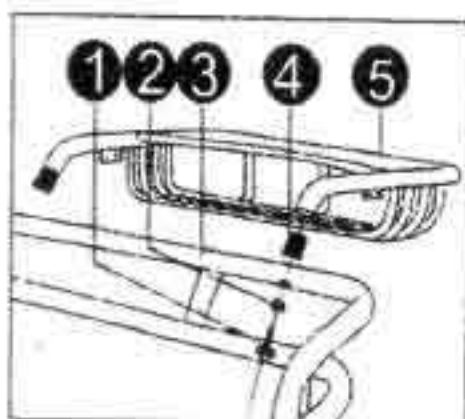
Step.8



No.	Part Name	Quantity	Note
1	Bolt M8×55	1	
2	Bolt block	1	
3	Front frame assembly	1	
4	Big plastic cover of protecting pole	1	
5	Rear shelf assembly	1	

Instruction for the installation:
 1. ④ insert ⑤, then fix ② and ④, ⑤ on ③ with ①.

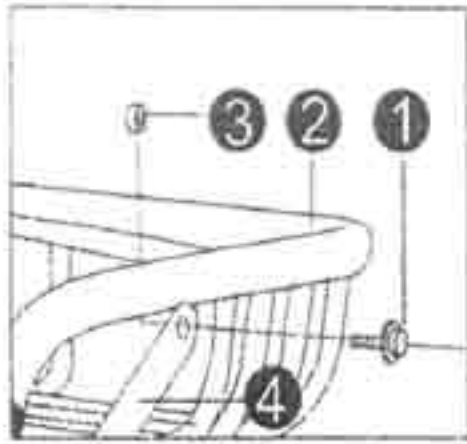
Step.9



No.	Part Name	Quantity	Note
1	Bolt M8×55	1	
2	Bolt block	1	
3	Front frame assembly		
4	Big plastic cover of protecting pole	1	
5	Rear shelf assembly	1	

Instruction for the installation:
 1. ④ insert ⑤, then fix ② and ④, ⑤ on ③ with ①.

Step.10

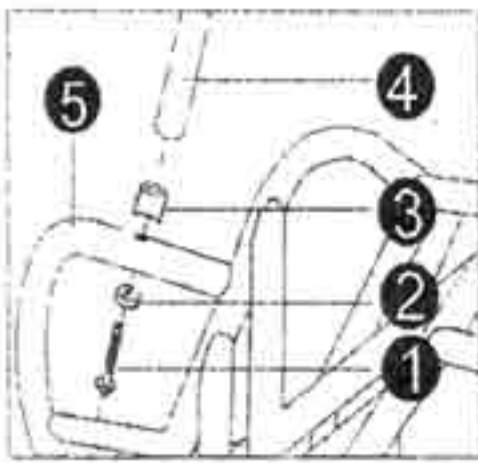


No.	Part Name	Quantity	Note
1	Bolt M8×20	1	The same to the right
2	Rear shelf assembly		
3	Nut M8	1	
4	Rear shelf knighthead	1	

Instruction for the installation:

1. ① insert ④, ②, then fix ①, ④, ② with ③.

Step.11

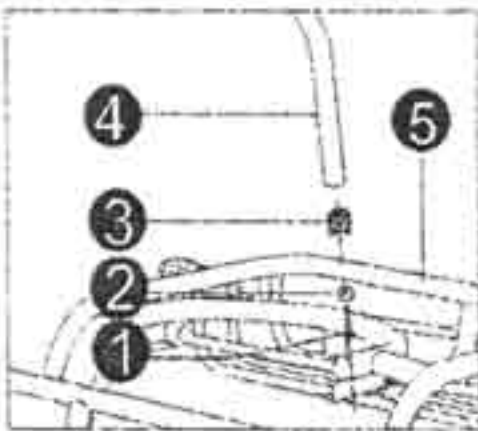


NO.	Part Name	Quantity	Note
1	Bolt M8×55	1	
2	Bolt block	1	
3	Big plastic cover of protecting pole	1	
4	Bend protecting pole	1	
5	Front frame assembly		

Instruction for the installation:

1. ③ insert ④, then fix ② and ③, ④ on ⑤ with ①.

Step.12

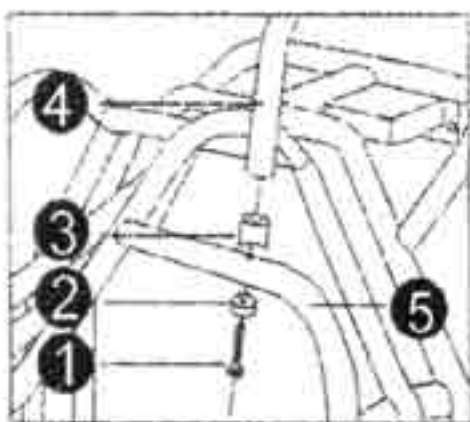


NO.	Part Name	Quantity	Note
1	Bolt M8×55	1	
2	Bolt block	1	
3	Big plastic cover of protecting pole	1	
4	Bend protecting pole	1	
5	Rear shelf assembly	1	

Instruction for the installation:

1. ③ insert ④, then fix ② and ③, ④ on ⑤ with ①.

Step.13

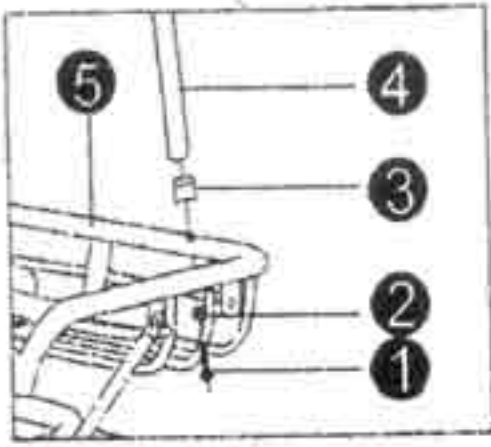


NO.	Part Name	Quantity	Note
1	Bolt M8×55	1	
2	Bolt block	1	
3	Big plastic cover of protecting pole	1	
4	Bend protecting pole	1	
5	Front frame assembly		

Instruction for the installation:

1. ③ insert ④, then fix ② and ③, ④ on ⑤ with ①.

Step.14

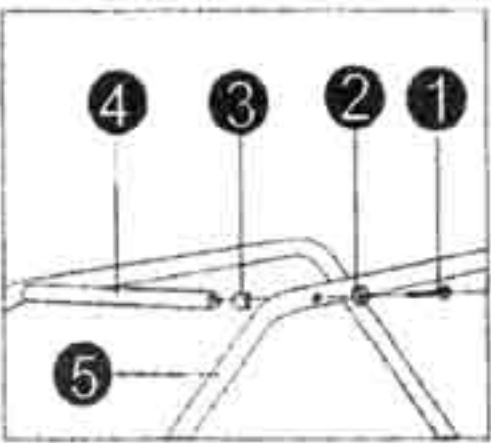


NO.	Part Name	Quantity	Note
1	Bolt M8×55	1	
2	Bolt block	1	
3	Big plastic cover of protecting pole	1	
4	Bend protecting pole	1	
5	Rear shelf assembly	1	

Instruction for the installation:

1. ③ insert ④, then fix ② and ③、④ on ⑤ with ①.

Step.15



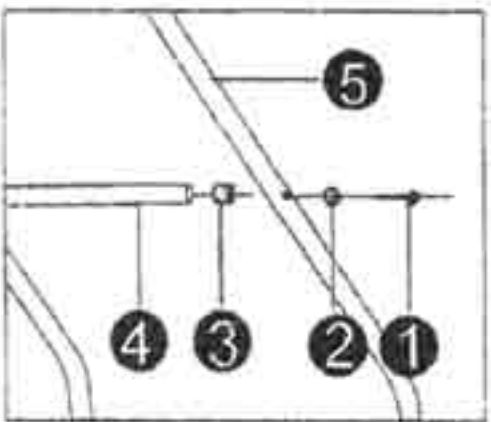
NO.	Part Name	Quantity	Note
1	Bolt M8×55	1	
2	Bolt block	1	
3	Big plastic cover of protecting pole	1	
4	Upper protecting pole	1	
5	Bend protecting pole	1	

Instruction for the installation:

1. ③ insert ④, then fix ② and ③、④ on ⑤ with ①.

2. The left side and right sides are same.

Step.16



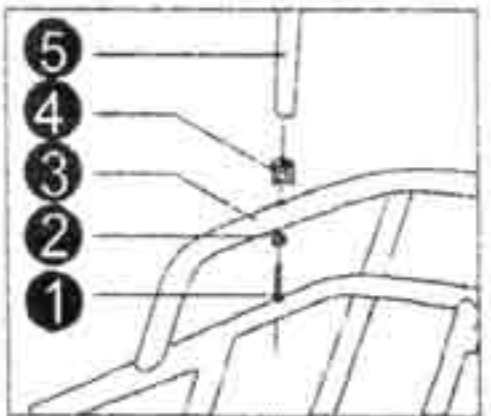
NO.	Part Name	Quantity	Note
1	Bolt M8×55	1	
2	Bolt block	1	
3	Big plastic cover of protecting pole	1	
4	Lower protecting pole	1	
5	Bend protecting pole	1	

Instruction for the installation:

1. ③ insert ④, then fix ② and ③、④ on ⑤ with ①

2. The left side and right sides are same.

Step.17

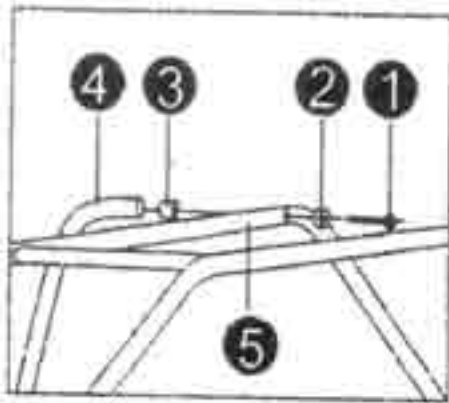


NO.	Part Name	Quantity	Note
1	Bolt M8×55	1	
2	Bolt block	1	
3	Front frame assembly		
4	Big plastic cover of protecting pole	1	
5	Side protecting pole	1	

Instruction for the installation:

1. ④ insert ⑤, then fix ② and ④、⑤ on ③ with ①.

Step.18

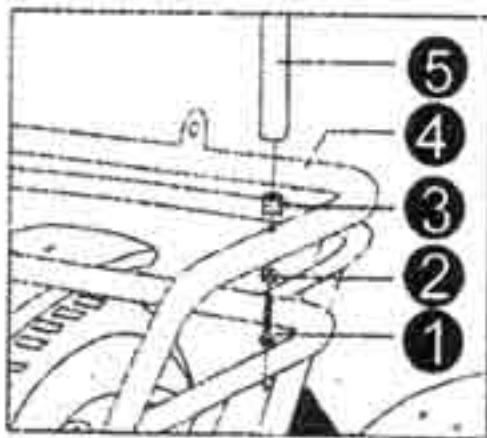


No.	Part Name	Quantity	Note
1	Bolt M8 × 55	1	
2	Bolt block	1	
3	Big plastic cover of protecting pole	1	
4	Side protecting pole	1	
5	Bend protecting pole	1	

Instruction for the installation:

1. ③ insert ④, then fix ② and ③. ④ on ⑤ with ①.

Step.19

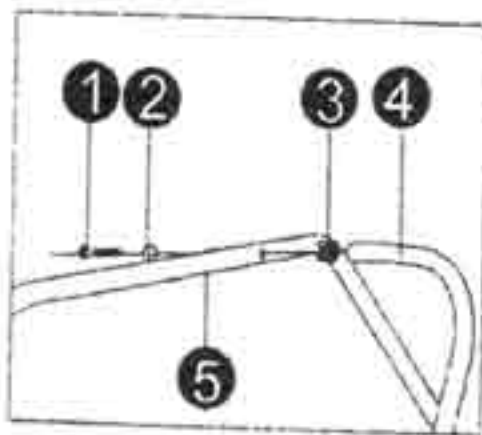


No.	Part Name	Quantity	Note
1	Bolt M8 × 55	1	
2	Bolt block	1	
3	Big plastic cover of protecting pole	1	
4	Front frame assembly		
5	Side protecting pole	1	

Instruction for the installation:

1. ③ insert ⑤, then fix ② and ③. ⑤ on ④ with ①.

Step.20

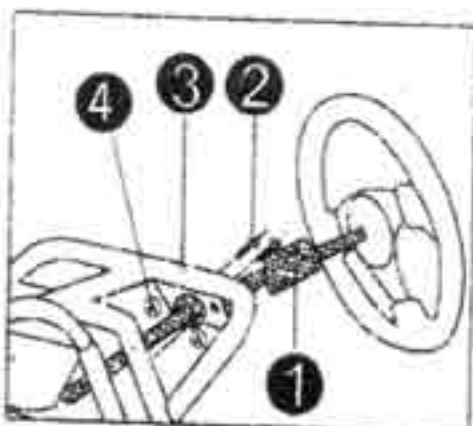


No.	Part Name	Quantity	Note
1	Bolt M8 × 55	1	
2	Bolt block	1	
3	Big plastic cover of protecting pole	1	
4	Side protecting pole	1	
5	Bend protecting pole	1	

Instruction for the installation:

1. ③ insert ④, then fix ② and ③. ④ on ⑤ with ①.

Step.21

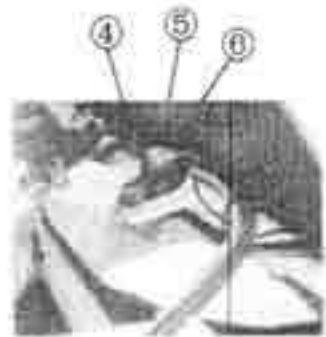
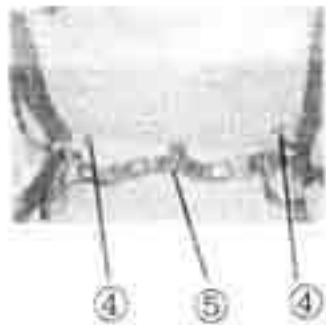


No.	Part Name	Quantity	Note
1	Turning axle assembly	1	
2	Bolt M8 × 20	2	
3	Front frame assembly		
4	Nut M8	2	

Instruction for the installation:

1. then fix ① on ③ with ② and ④.

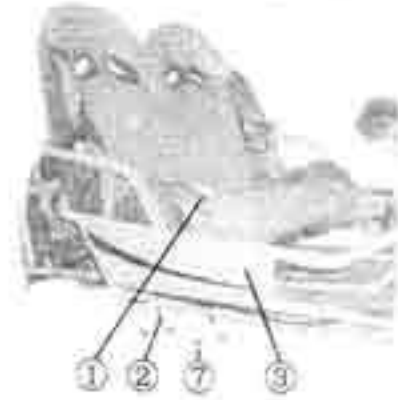
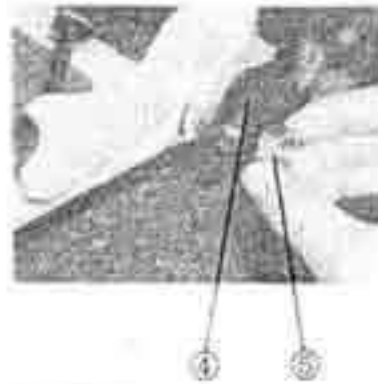
Step.22



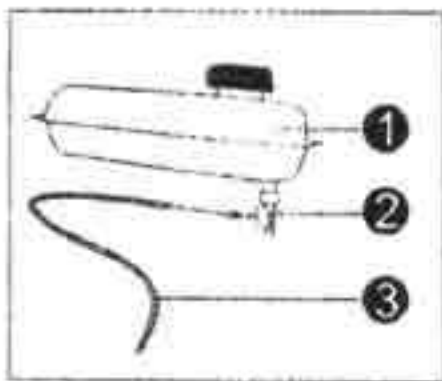
No.	Part Name	Quantity	Remark
1	SEAT ASSY	1	
2	BOLT M8×45	4	
3	FRAME COMP.		
4	LOCK NUT FLANGE M10×1.25	3	
5	BELT. SAFETY	1	
6	BOLT M10×1.25×40	1	
7	LOCK NUT FLANGE M8	4	

Instruction for the installation:

1. Take out ① and ⑤, Take one side of the ⑤ through the hole in the bottom of SEAT ASSY.
2. Fixing ⑤ on the REAR SWING ARM COMP by ⑥ and ④.
3. Fixing the other sides of the ⑤ on the Rear Swing Arm Comp by ④.
4. Take out ② and ⑦, Fixing ① on ③ by ② and ⑦.



Step.23

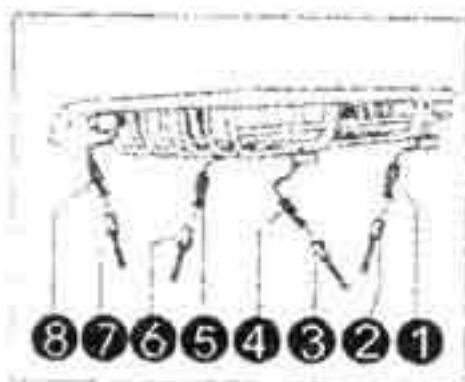


NO.	Part Name	Quantity	Note
1	Fuel tank	1	
2	Fuel tank cock	1	
3	Fuel outlet rubber pipe	1	

Instruction for the installation:

1. ③ insert ②.

Step.24

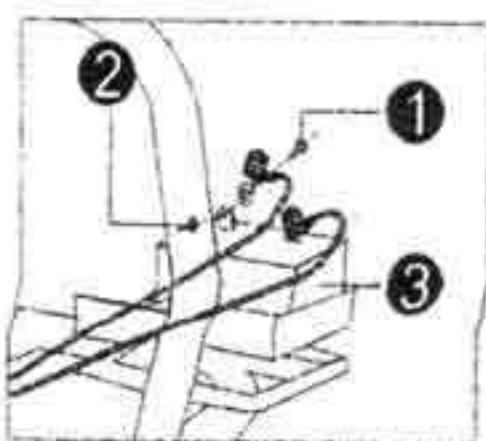


NO.	Part Name	Quantity	Note
1	Rear brake light plug 1	1	Right
2	Rear brake light plug 2	1	Right
3	Rear brake light plug 2	1	Left
4	Rear brake light plug 1	1	Left
5	Rear turning light plug 1	1	Right
6	Rear turning light plug 2	1	Right
7	Rear turning light plug 2	1	Left
8	Rear turning light plug 1	1	Left

Instruction for the installation:

1. Connect ① with ②.
2. Connect ③ with ④.
3. Connect ⑤ with ⑥.
4. Connect ⑦ with ⑧.

Step.25



NO.	Part Name	Quantity	Note
1	Bolt M6×12	2	
2	Nut M6	2	
3	Battery	1	

Instruction for the installation:

1. fix the electrical wire on the ③ with ②, be sure that red wire fixing "+", and black wire fixing "-" .