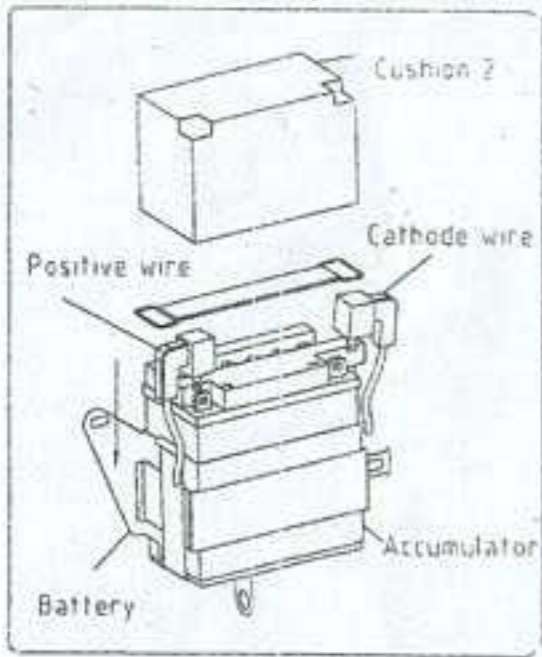
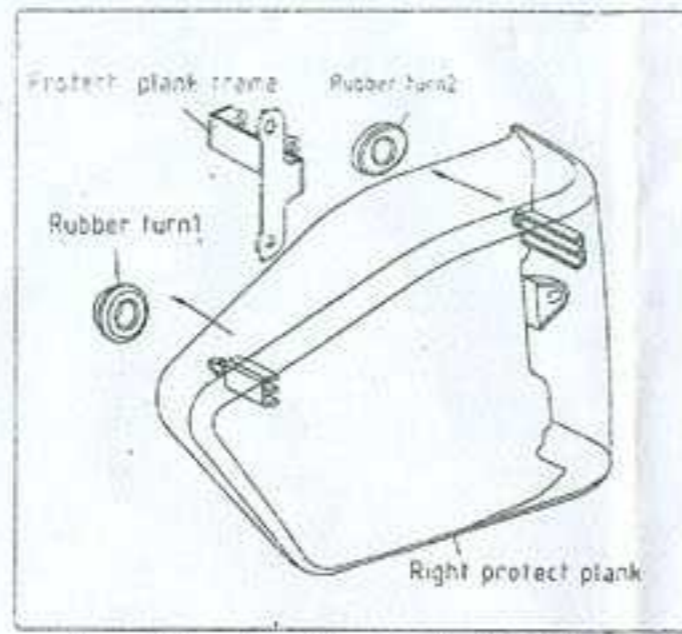


Battery and Protect plank installment

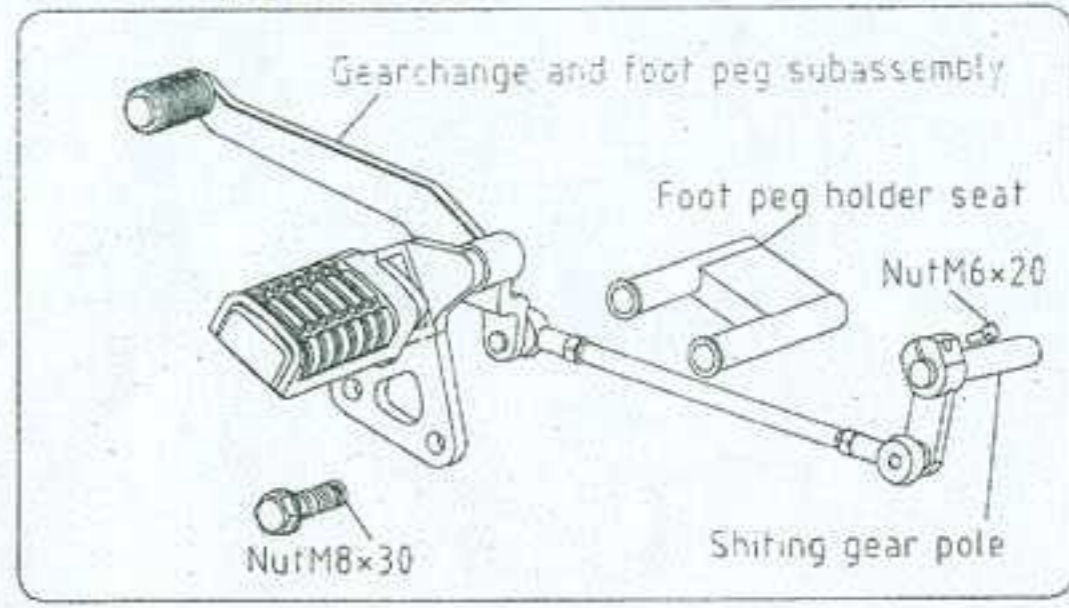


Pour electrolyte into battery to appointed height. case battery to its bracket connect positive and negative wire of jackek 8-12N.m to the corresponding pole of the battery. Buckle the two end of the band on pothook of the bachel. then cover the battery with cushion 2.



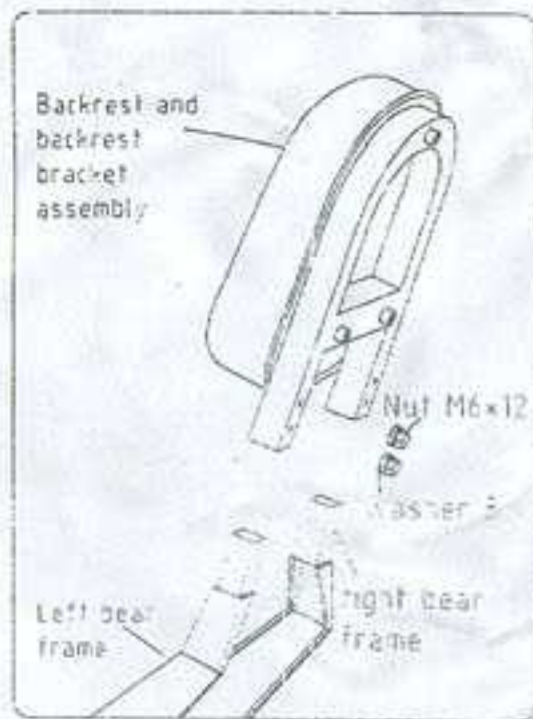
Insert the plug of the protect plate into corresponding rubber circle. Fix the protect plate on its bracket with bolts and its torque is

footpeg installment

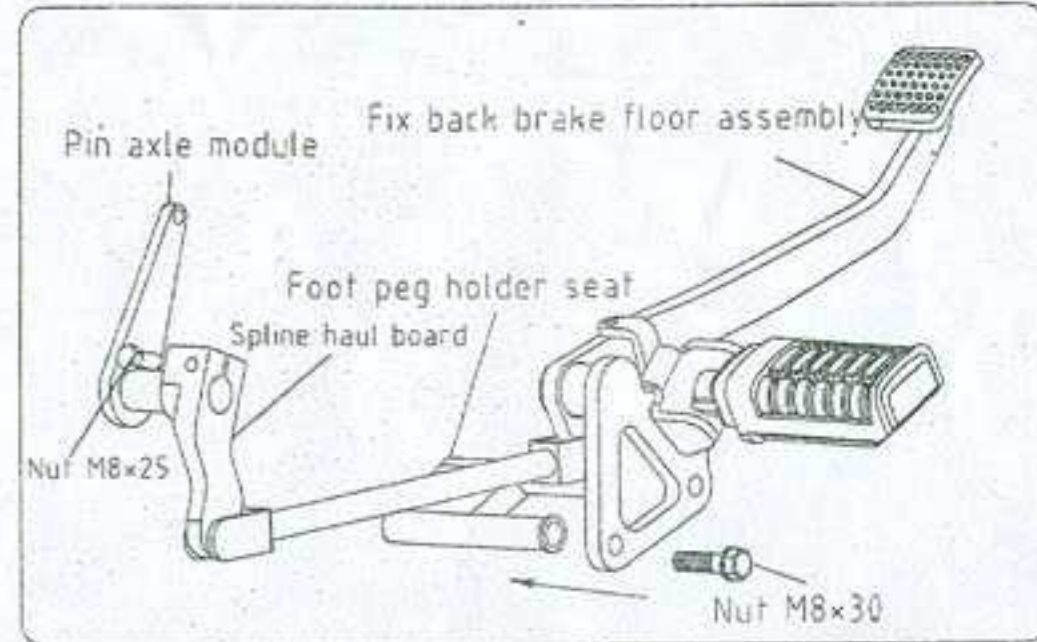


Install gearlever and footpeg assy. on footpeg holder with bolt, The torque is 20-25N.m. and insert spline into gearlever, fix it with bolt. Torque is 8-12N.m. Note:the spline must be upright adown

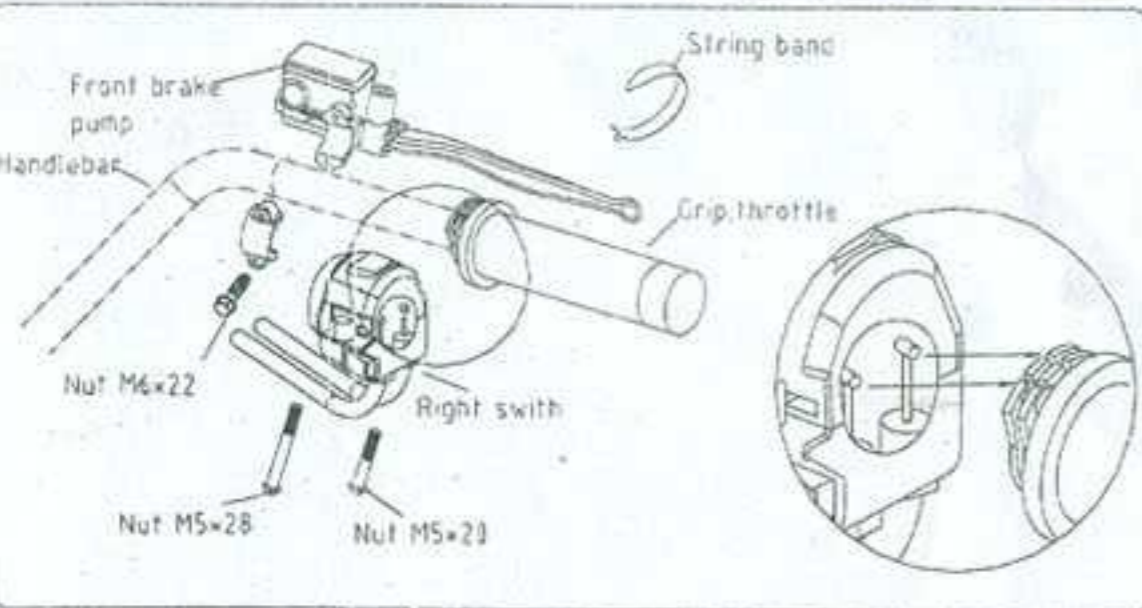
backrest bracket equipment



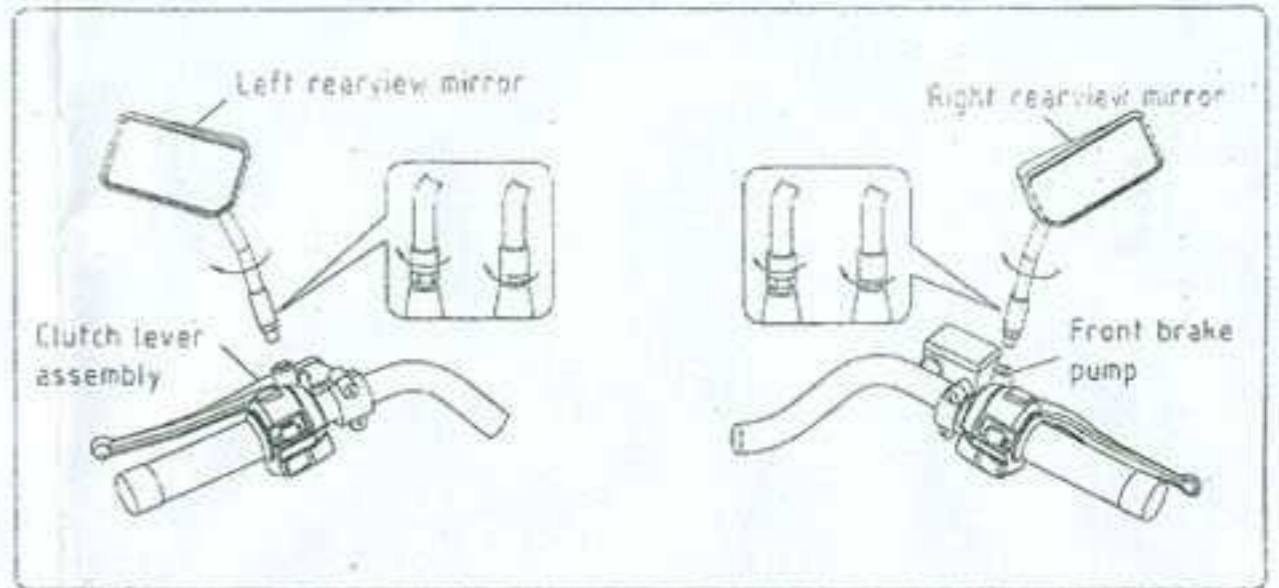
Set backrest together with its bracket into the left and right brackets, and fix it with bolt. The torque is 8-12N.m.



fix rear brake pedal into footpeg holder with bolt, its torque is 20-25N.m fix spline haul board into pin axle module, lock it tightly with bolt. Torque is 20-25N.m.



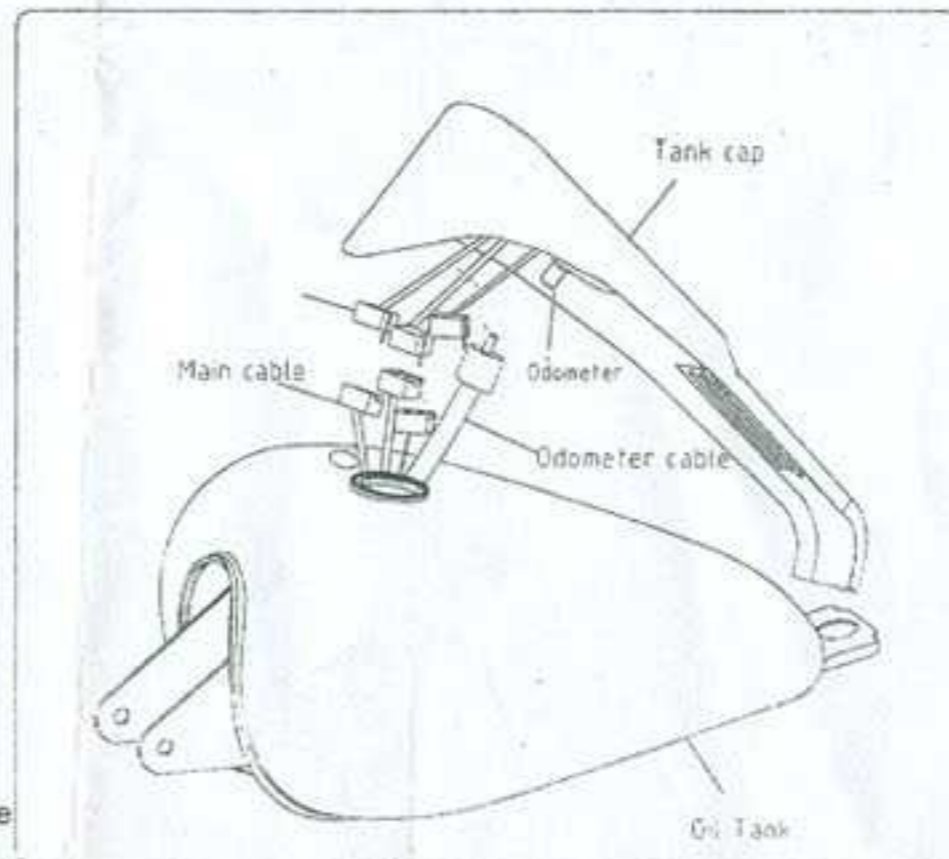
4. Set each end of throttle control cable into the groove of left switch lock the right switch in the anchor hole of handlebar. Screw it tight with bolt. and its torque is 4-9N.m. Install front brake pump into the handlebar, then screw it tightly with bolt. Its torque is 8-12N.m then fasten the cable with string band.



Rearview mirror equipment

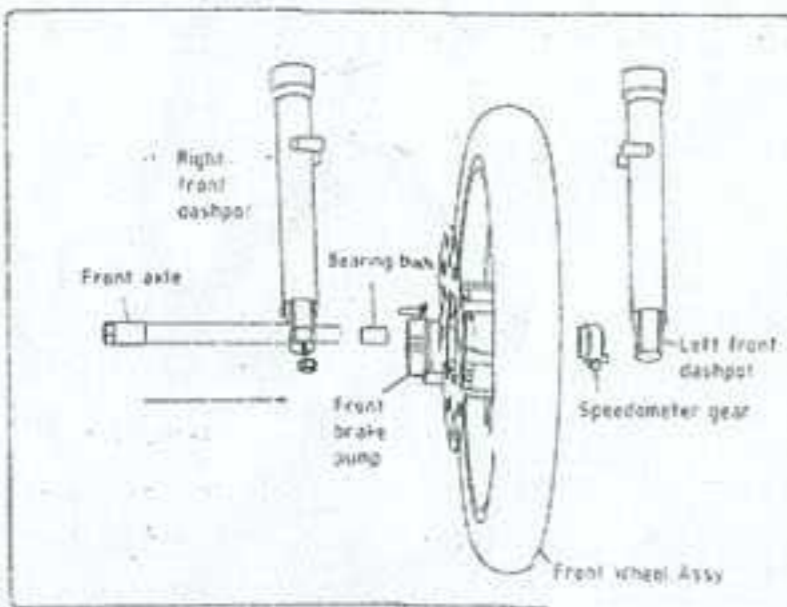
Revolve the left and right rearview mirrors into clutch lever assembly and front brake pump's whorl hole, screw them tightly. And its torque is 20-25N.m.

Tank cap installment:

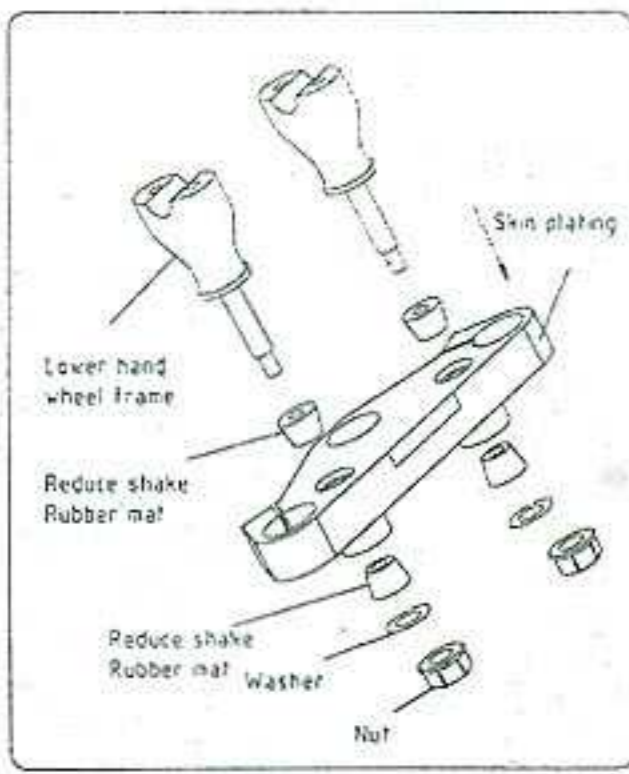


Cover the plug of cable with jacket, then insert it into The Socket on Tank cap's wire Note: Match the Jacket with Their own color's. tighten Odometer with it's cable by Nut. Cover the cap and lock With bolts.

Front wheel equipment

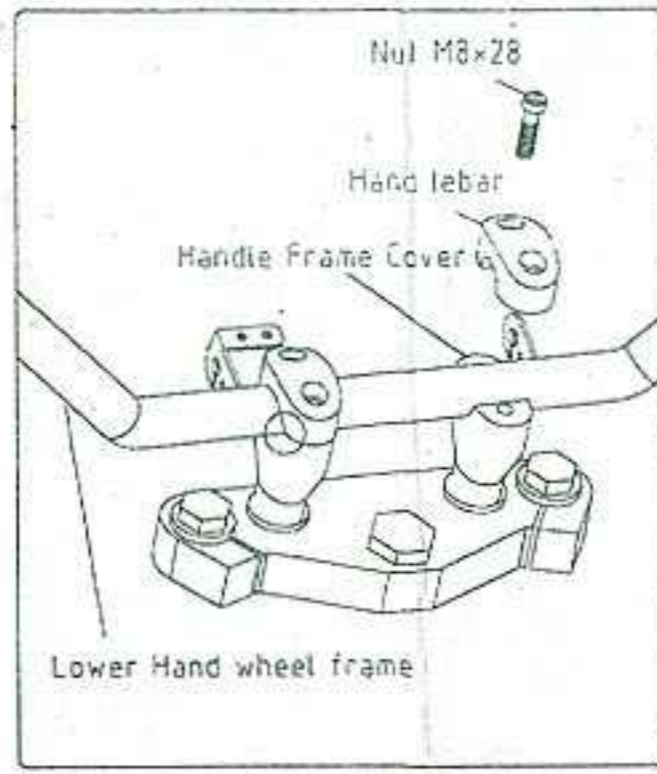


Set speedometer gear onto front wheel, and cover the right front dashpot with bearing bush, through front wheel from right to left with front axle then fasten it onto the left front dashpot. And its torque is 35-45N.m and tighten the nut of the right front dashpot. Its torque is 20-25N.m take out plugging slice between rub slices of the front brake pump, insert it into the front brake discs, then fix brake pump into right front dashpot, and its torque is 20-25N.m



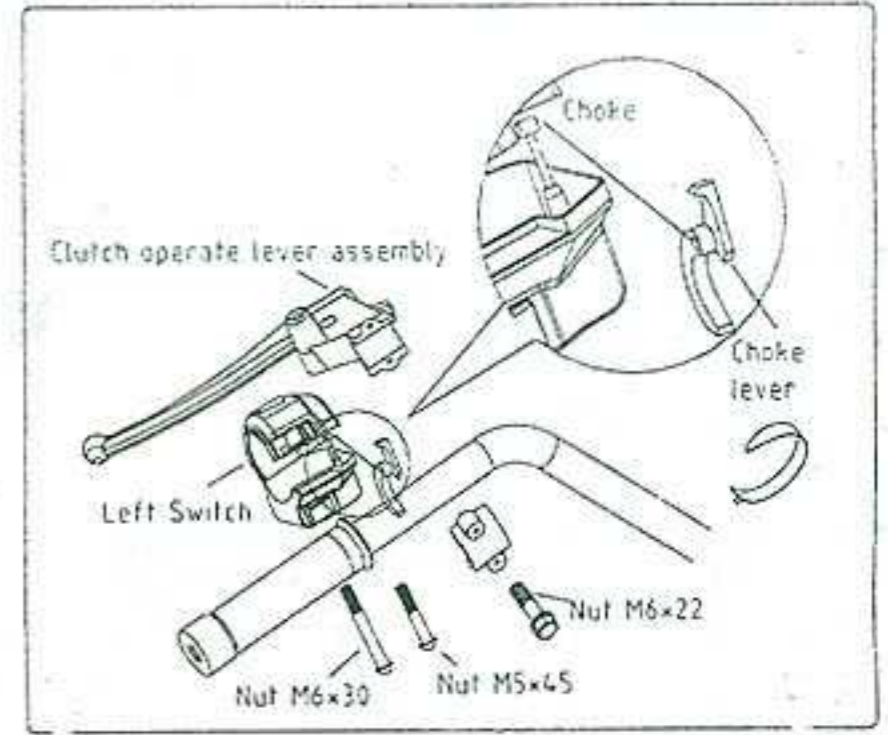
Risers installment:

Insert reduce shake Rubber mat into upper and nether holes of skin plating. Then insert lower hand wheel frame into Reduce skake Rubber mat, Cover With washer and tighten with Nut, And it's torgueis is 15-22N.m

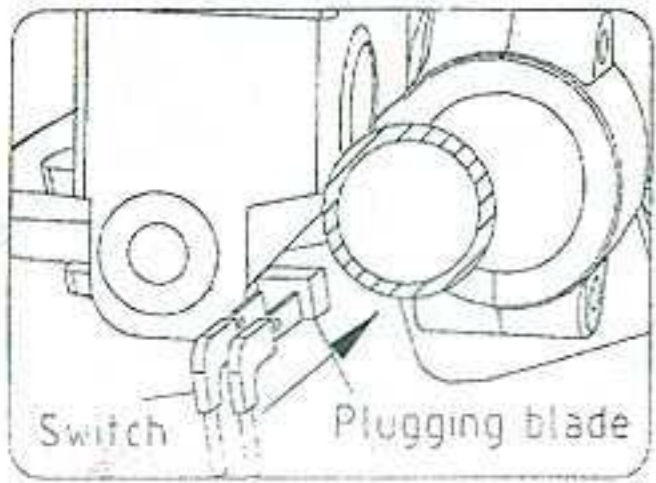


Handle bar equipment

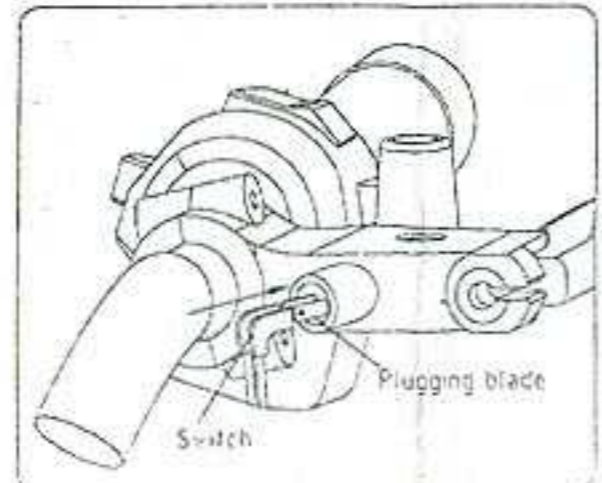
1. Fix handlebar on the lower raiser. Tighten in the upper and lower raisers with bolts. and itsd torque is 15-22N.m.
 Note: keep the anchor point of the lower. raisers upwarcers. to match the purple of handlebar and the raisers.



2. Set choke cable end into the choke groove. Insert left switch to the anchor hole of the handlebar, then tighten it with the bolts. its torque is 4-9N.m; install clutch lever assembly to the handlebar, tighten it with bolts. the torque is 8-12N.m. and fasten the cable with string band.

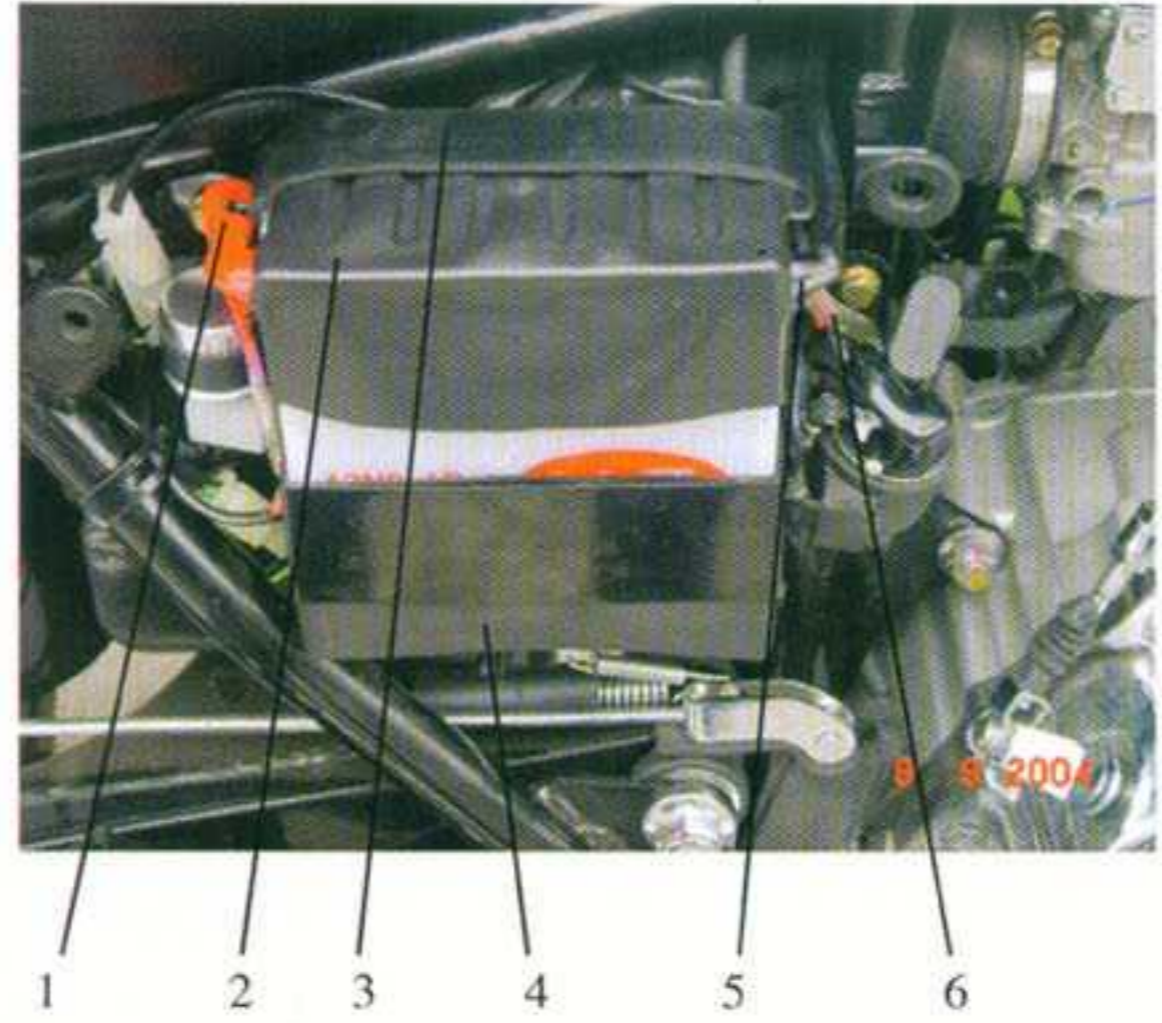


4. Insert right switch plug into the slice of the switch of the front brake pump



5. Insert left switch into contact plugging blade.

Battery Assembly Diagram



No.	Description	Quantity	Remark
1	Battery positive wire	1	
2	Battery sleeve I	1	
3	Battery lacing	1	
4	Battery sleeve II	1	
5	Battery negative wire	1	
6	Overflow pipe	1	