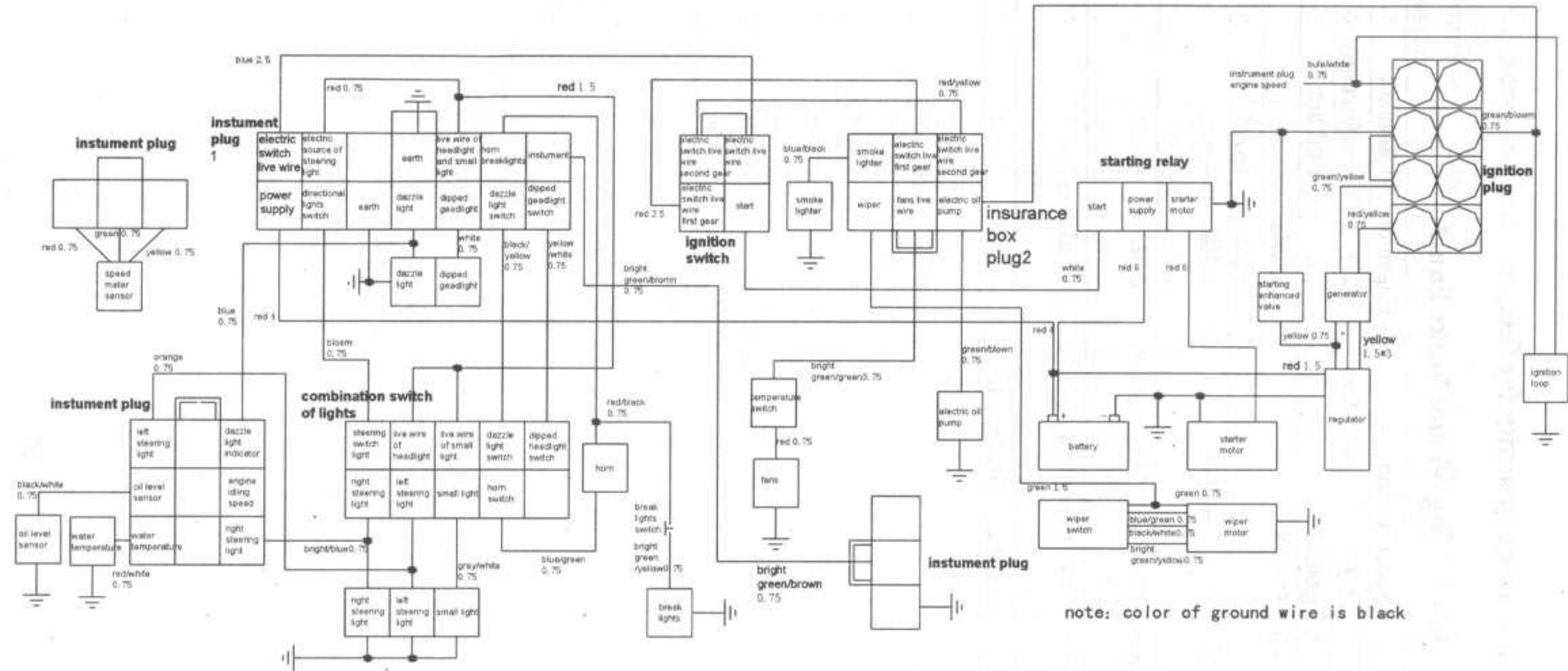


Circuit of UTV300



Configuration drawing for fuse box

15	14	13	12	11	10	9	8	7	6	5	4	3	2	1
power supply	directional lights	oil pump	dazzle light	smoke lighter	fans	main headlight	wiper	power supply for lights	horn/ breaklights	instrument	blank	blank	blank	blank
20	5	10	10	10	10	10	10	15	5	5				

Control circuit drawing for towing equipment and overturn roof

