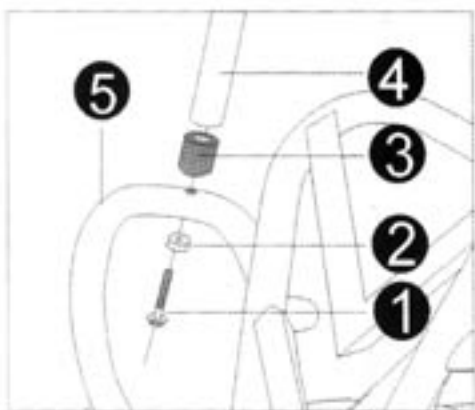


Step.1

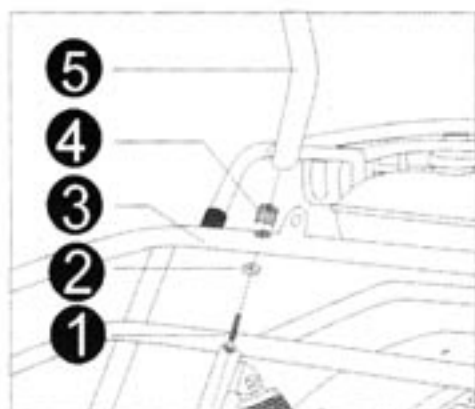


NO.	Part Name	Quantity	Note
1	Bolt M8×60	1	
2	Bolt block	1	
3	Big plastic cover of protecting pole	1	
4	Bend protecting pole	1	
5	Front frame assembly	1	

Instruction for the installation:

1. ③ insert ④, then fix ② and ③、④ on ⑤ with ①.

Step.2



NO.	Part Name	Quantity	Note
1	Bolt M8×60	1	
2	Bolt block	1	
3	Front frame assembly		
4	Big plastic cover of protecting pole	1	
5	Bend protecting pole		

Instruction for the installation:

1. ④ insert ⑤, then fix ② and ④、⑤ on ③ with ①.

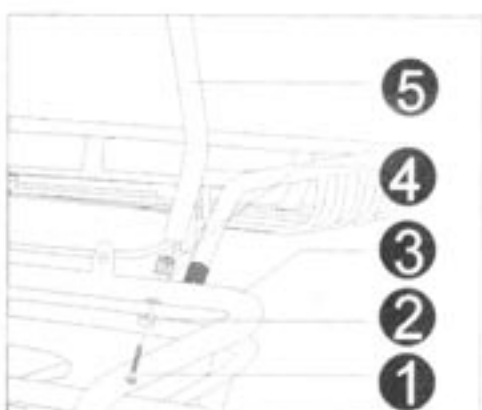
Step.3



NO.	Part Name	Quantity	Note
1	Bolt M8×60	1	
2	Bolt block	1	
3	Big plastic cover of protecting pole	1	
4	Bend protecting pole	1	
5	Front frame assembly		

Instruction for the installation:
1. ③ insert ④, then fix ② and ③, ④ on ⑤ with ①.

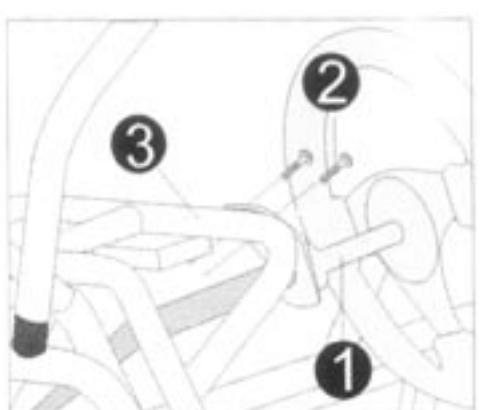
Step.4



NO.	Part Name	Quantity	Note
1	Bolt M8×60	1	
2	Bolt block	1	
3	Front frame assembly		
4	Big plastic cover of protecting pole	1	
5	Bend protecting pole		

Instruction for the installation:
1. ④ insert ⑤, then fix ② and ④, ⑤ on ③ with ①.

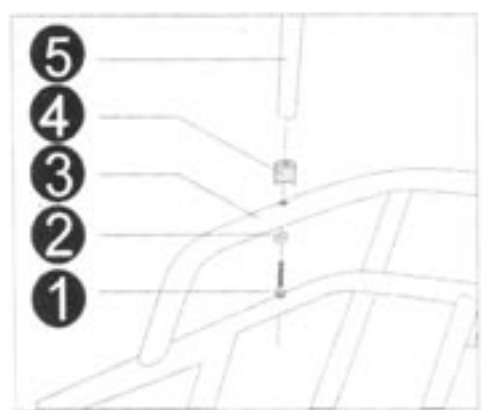
Step.5



NO.	Part Name	Quantity	Note
1	Turning axle assembly	1	
2	Bolt M8×20	2	
3	Front frame assembly		

Instruction for the installation:
1. Fix ① on ③ with ②.

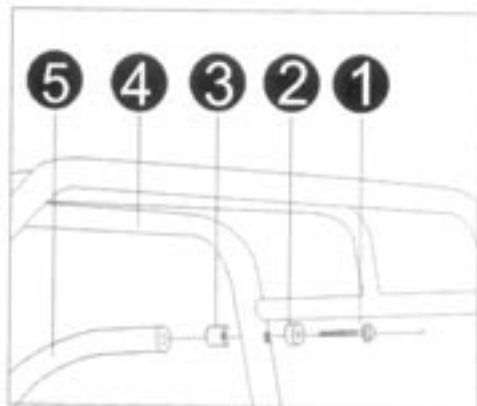
Step.6



NO.	Part Name	Quantity	Note
1	Bolt M8×60	1	
2	Bolt block	1	
3	Front frame assembly		
4	Big plastic cover of protecting pole	1	
5	Side protecting pole	1	

Instruction for the installation:
1. ④ insert ⑤, then fix ② and ④, ⑤ on ③ with ①.

Step.7

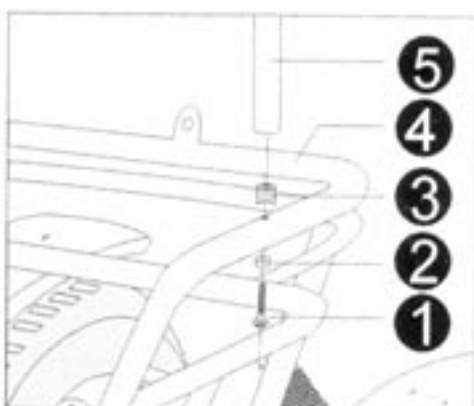


N0.	Part Name	Quantity	Note
1	Bolt M8×60	1	
2	Bolt block	1	
3	Big plastic cover of protecting pole	1	
4	Bend protecting pole		
5	Side protecting pole	1	

Instruction for the installation:

1. ③ insert ⑤, then fix ② and ③、⑤ on ④ with ①.

Step.8

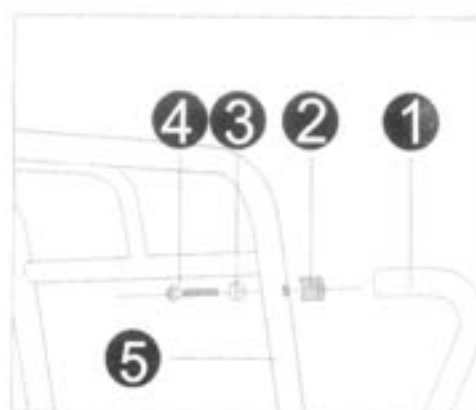


N0.	Part Name	Quantity	Note
1	Bolt M8×60	1	
2	Bolt block	1	
3	Big plastic cover of protecting pole	1	
4	Front frame assembly		
5	Side protecting pole	1	

Instruction for the installation:

1. ③ insert ⑤, then fix ② and ③、⑤ on ④ with ①.

Step.9

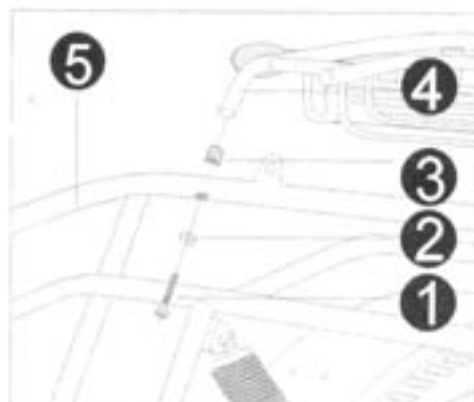


N0.	Part Name	Quantity	Note
1	Side protecting pole	1	
2	Big plastic cover of protecting pole	1	
3	Bolt block	1	
4	Bolt M8×60	1	
5	Bend protecting pole		

Instruction for the installation:

1. ② insert ①, then fix ③ and ②、① on ⑤ with ④.

Step.10

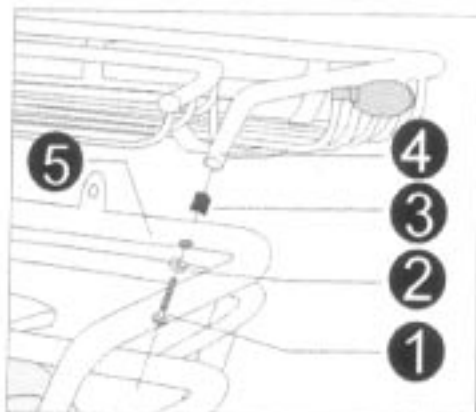


N0.	Part Name	Quantity	Note
1	Bolt M8×60	1	
2	Bolt block	1	
3	Min plastic cover of protecting pole	1	
4	Rear shelf assembly	1	
5	Front frame assembly		

Instruction for the installation:

1. ③ insert ④, then fix ② and ③、④ on ⑤ with ①.

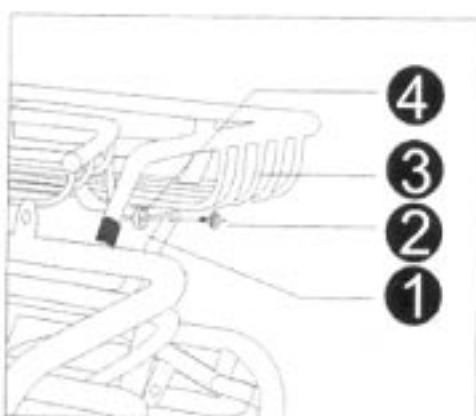
Step.11



NO.	Part Name	Quantity	Note
1	Bolt M8×60	1	
2	Bolt block	1	
3	Min plastic cover of protecting pole	1	
4	Rear shelf assembly		
5	Front frame assembly		

Instruction for the installation:
1. ③ insert ④, then fix ② and ③、④ on ⑤ with ①.

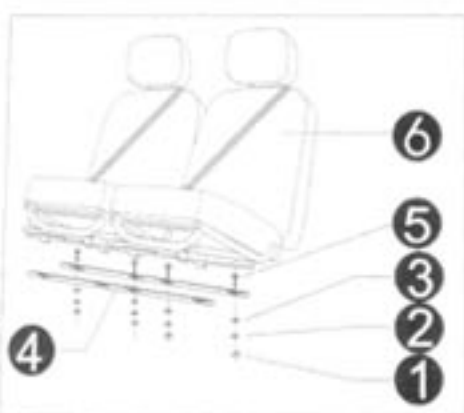
Step.12



NO.	Part Name	Quantity	Note
1	Rear shelf knighthead	1	The same to the right
2	Bolt M8×20	1	
3	Rear shelf assembly		
4	Nut M8	1	

Instruction for the installation:
1. ② insert ①、③, then Fix ①、②、③ with ④.

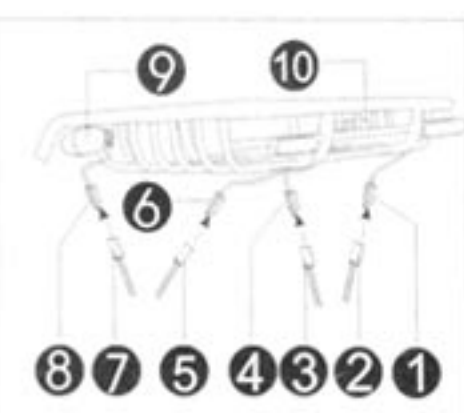
Step.13



NO.	Part Name	Quantity	Note
1	Nut M8	4	
2	Spring lock washer 8	4	
3	Plain Washer 8	4	
4	Front frame assembly		
5	Bolt M8×50	4	
6	Seat	2	

Instruction for the installation:
1. Fix ⑥ on ④ with ⑤、③、②、①.

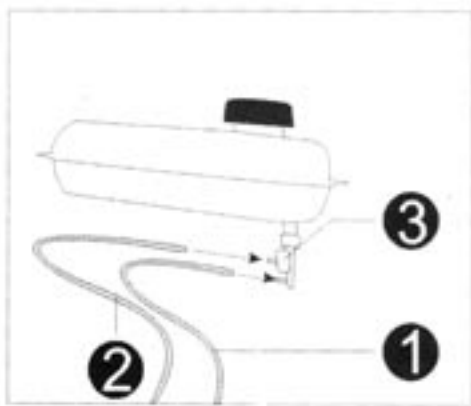
Step.14



NO.	Part Name	Quantity	Note
1	Rear brake light plug 1	1	
2	Rear brake light plug 2	1	
3	Rear brake light plug 2	1	
4	Rear brake light plug 1	1	
5	Rear turning light plug 2	1	
6	Rear turning light plug 1	1	
7	Rear turning light plug 2	1	
8	Rear turning light plug 1	1	
9	Rear turning light	1	Left
10	Rear turning light	1	Right

Instruction for the installation:
1. Connect ① with ②.
2. Connect ③ with ④.
3. Connect ⑤ with ⑥.
4. Connect ⑦ with ⑧.

Step.15

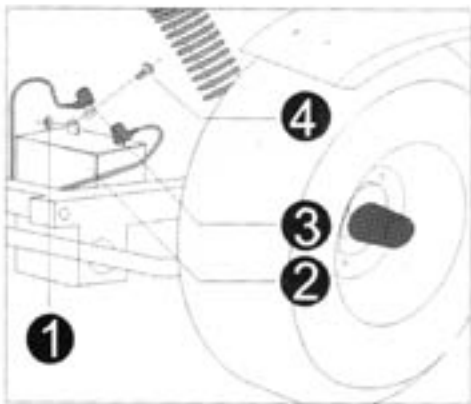


NO.	Part Name	Quantity	Note
1	Fuel vacuum rubber pipe	1	
2	Fuel outlet rubber pipe	1	
3	Fuel tank cock	1	

Instruction for the installation:

1. ① insert ③.
2. ② insert ③.

Step.16

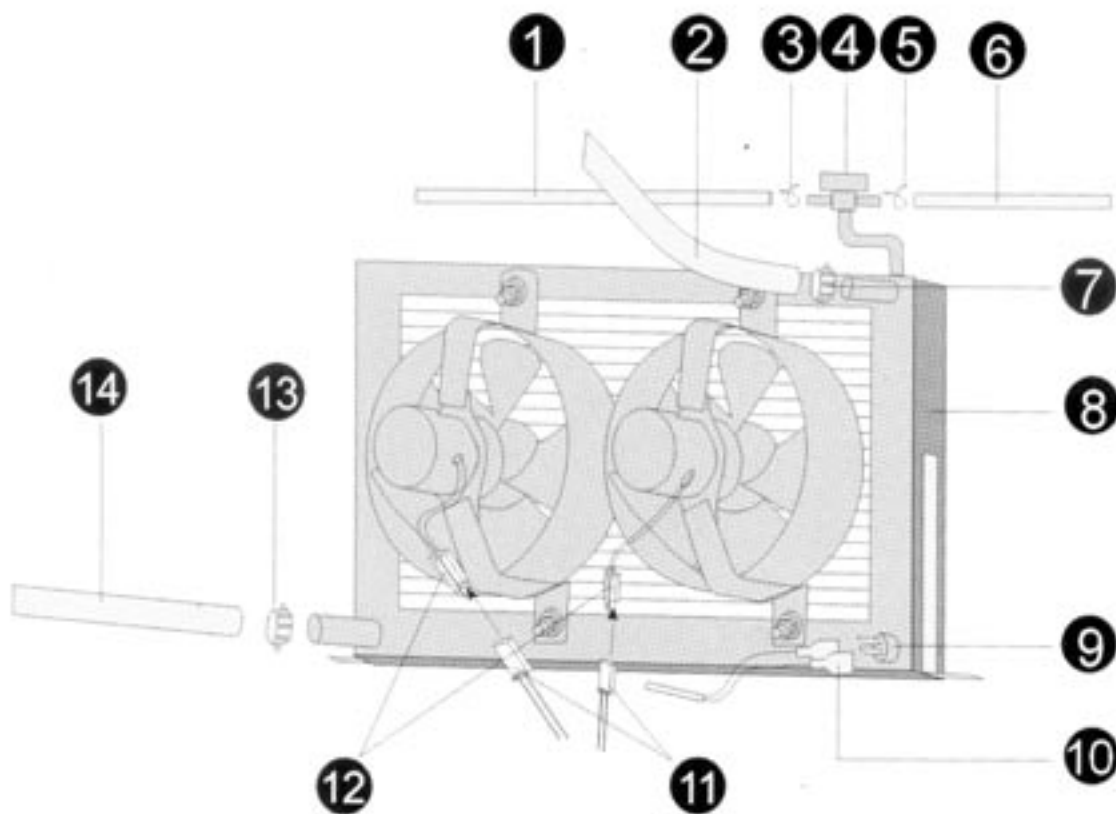


NO.	Part Name	Quantity	Note
1	Nut M6	1	
2	Battery	1	
3	Negative wire	1	
4	Bolt M6×12	1	

Instruction for the installation:

1. ④ insert ②、③, then fix ④、②、③ with ①.

Step.17



NO.	Part Name	Quantity	Note
1	Thermostat tube	1	
2	Radiator inlet tube	1	
3	Shimble Φ12	1	
4	Radiator filler	1	
5	Shimble Φ12	1	
6	Water jub tube	1	
7	Pipe clip 24mm	1	
8	Radiator fan motor assembly	1	
9	Water temperature sensor	1	
10	Plug 1	2	
11	Fan plug 2	2	
12	Fan plug 1	2	
13	Pipe clip 24mm	1	
14	Radiator outlet hose	1	

Instruction for the installation:

1. ① insert ④, then clamp ① into ④ with ③.
2. ⑥ insert ④, then clamp ⑥ into ④ with ⑤.
3. ② insert ⑧, then clamp ② into ⑧ with ⑦.
4. ⑩ insert ⑨.
5. Connect ⑪ with ⑫.
6. ⑭ insert ⑧, then clamp ⑭ into ⑧ with ⑬.

Attention:

Please be noted that the red cable should be connected with the positive lead, while black cable with negative lead when connecting.