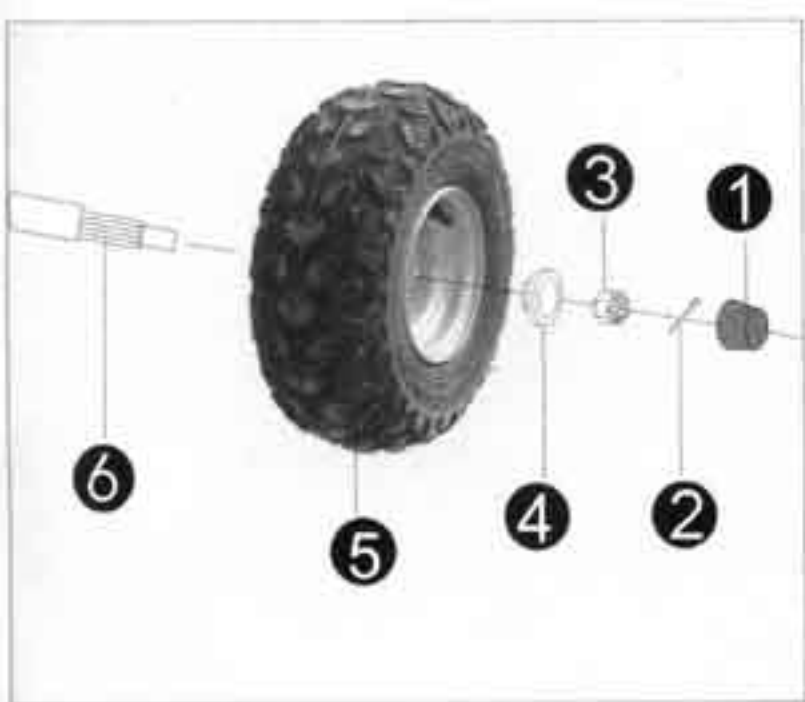


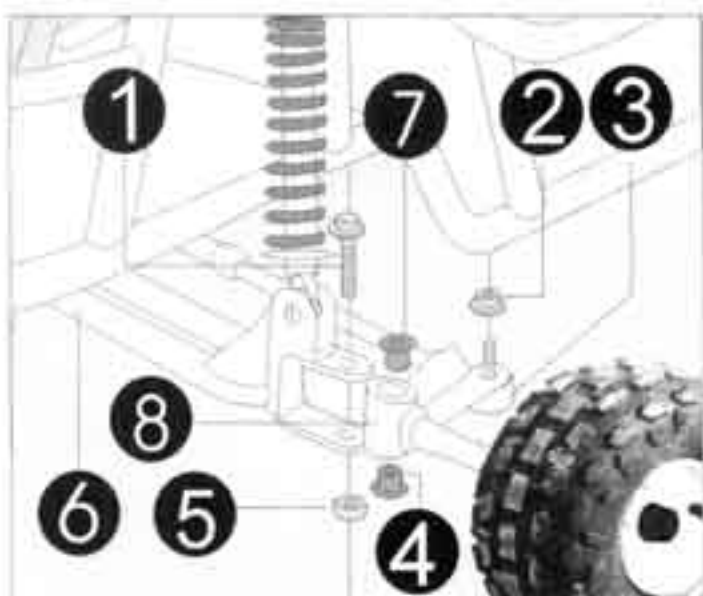
Step.1



Instruction for the installation:
 1. ⑤ and ④ insert ⑥, then fix ③ with ⑥
 2. ② insert ⑥, press ① to ④.

NO.	Part Name	Quantity	Note
1	Tire cover	1	The same to the right
2	Split pin 3×28	1	
3	Nut M16×1.5	1	
4	Rear axle gasket	1	
5	Rear tire 145/70-6	1	
6	Rear axle	1	

Step.2

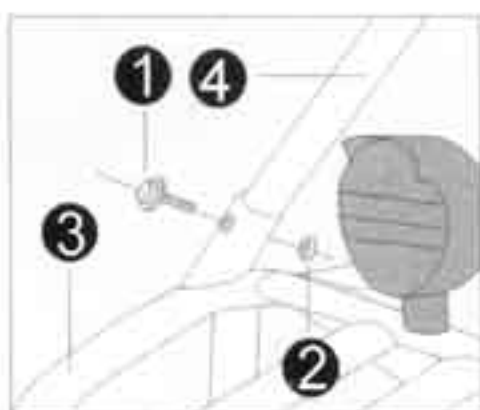


Instruction for the installation:

1. ⑦、④ insert ⑧, then fix ① insert ⑥、⑦、⑧、④ with ⑤.
2. ③ insert ⑧, then fix ③ and ⑧ with ②.

NO.	Part Name	Quantity	Note
1	Bolt M12×70	1	The same to the right
2	Nut M10×1.25	1	
3	Tie rod	1	
4	Short nylon cover	1	
5	Nut M12	1	
6	Front swing arm assembly	1	
7	Long nylon cover	1	
8	Axle swivel	1	

Step.3

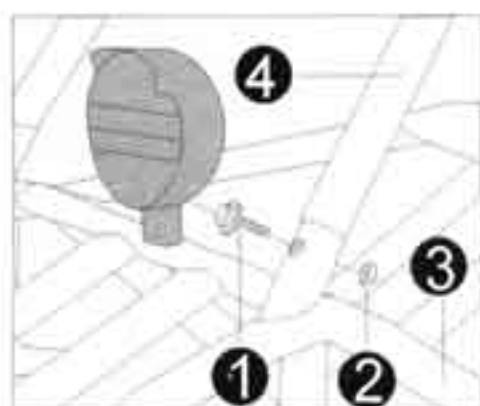


NO.	Part Name	Quantity	Note
1	Bolt M6×35	1	
2	Nut M6	1	
3	Front frame assembly	1	
4	Front protecting pole	1	

Instruction for the installation:

1. ④ insert ③, then fix ① insert ③、④ with ②.

Step.4

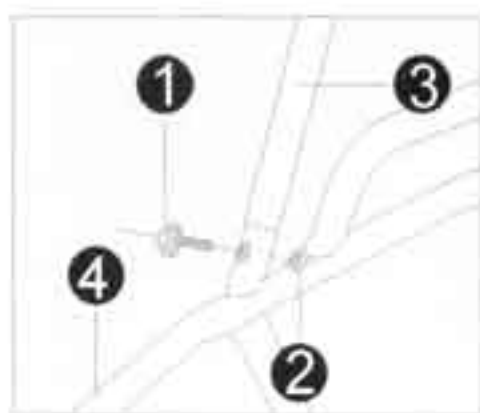


NO.	Part Name	Quantity	Note
1	Bolt M6×35	1	
2	Nut M6	1	
3	Front frame assembly		
4	Front protecting pole		

Instruction for the installation:

1. ④ insert ③, then fix ① insert ③、④ with ②.

Step.5

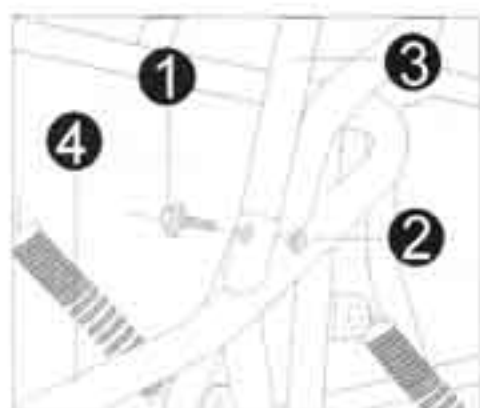


N0.	Part Name	Quantity	Note
1	Bolt M6×35	1	
2	Nut M6	1	
3	Rear protecting pole	1	
4	Front frame assembly		

Instruction for the installation:

1. ③ insert ④, then fix ① insert ③. ④ with ②.

Step.6

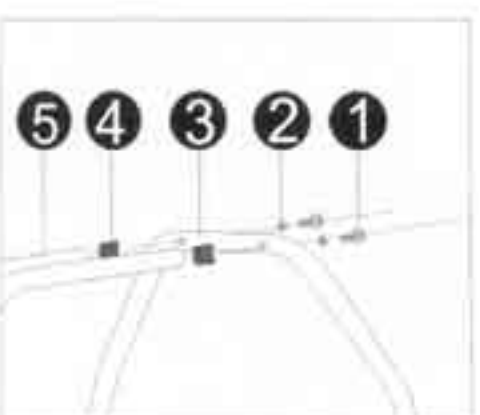


N0.	Part Name	Quantity	Note
1	Bolt M6×35	1	
2	Nut M6	1	
3	Rear protecting pole		
4	Front frame assembly		

Instruction for the installation:

1. ③ insert ④, then fix ① insert ③. ④ with ②.

Step.7

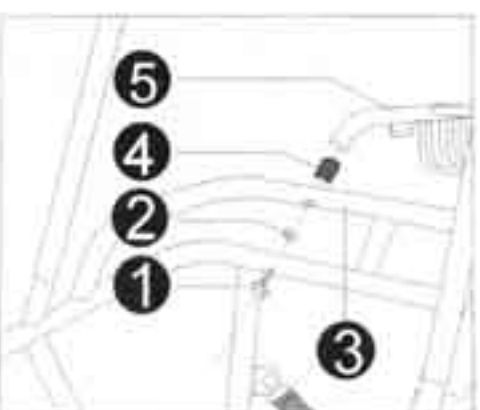


N0.	Part Name	Quantity	Note
1	Bolt M8×45	2	
2	Bolt block	2	
3	Rear protecting pole		
4	Big plastic cover of protecting pole	2	
5	Front protecting pole		

Instruction for the installation:

1. ④ insert ⑤, then fix ② and ④. ⑤ on ③ with ①.

Step.8

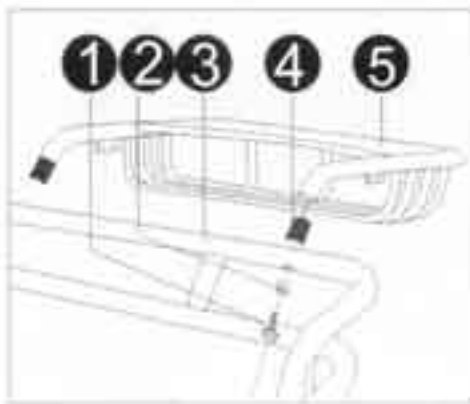


N0.	Part Name	Quantity	Note
1	Bolt M8×45	1	
2	Bolt block	1	
3	Front frame assembly		
4	Min plastic cover of protecting pole	1	
5	Rear shelf assembly	1	

Instruction for the installation:

1. ④ insert ⑤, then fix ② and ④. ⑤ on ③ with ①.

Step.9

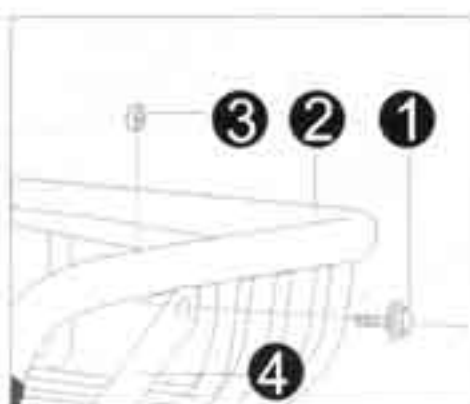


NO.	Part Name	Quantity	Note
1	Bolt M8×45	1	
2	Bolt block	1	
3	Front frame assembly		
4	Min plastic cover of protecting pole	1	
5	Rear shelf assembly		

Instruction for the installation:

1.④ insert ⑤, then fix ② and ④、⑤ on ③ with ①.

Step.10



NO.	Part Name	Quantity	Note
1	Bolt M8×20	1	The same to the right
2	Rear shelf assembly		
3	Nut M8	1	
4	Rear shelf knighthead	1	

Instruction for the installation:

1.① insert ④、②,then fix ①、④、② with ③.

Step.11

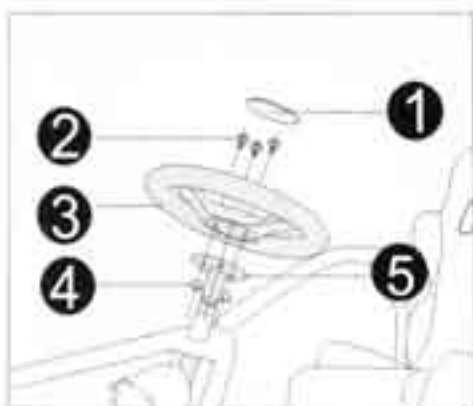


NO.	Part Name	Quantity	Note
1	Bolt M8×16	4	
2	Front frame assembly	1	
3	Seat	1	

Instruction for the installation:

1. Fix ③ on ② with ①.

Step.12

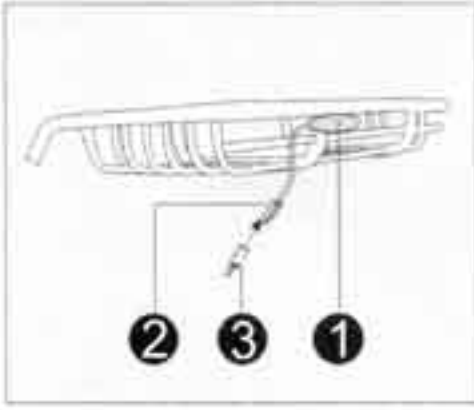


NO.	Part Name	Quantity	Note
1	Steering wheel cap	1	
2	Bolt M6×16	3	
3	Steering wheel	1	
4	Nut M6	3	
5	Directino bar assembly	1	

Instruction for the installation:

1. Fix ③ on ⑤ with ②、④.then press ① to ③.

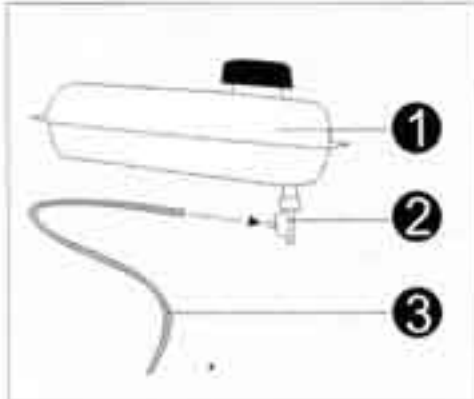
Step.13



NO.	Part Name	Quantity	Note
1	Rear brake light	1	
2	Rear brake light plug 2	1	
3	Rear brake light plug 1	1	

Instruction for the installation:
1. Connect ② with ③.

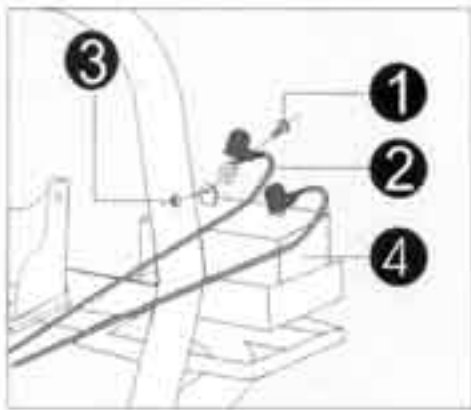
Step.14



NO.	Part Name	Quantity	Note
1	Fuel tank	1	
2	Fuel tank cock	1	
3	Fuel outlet rubber pipe	1	

Instruction for the installation:
1. ③ insert ②.

Step.15



NO.	Part Name	Quantity	Note
1	Bolt M6×12	1	
2	Negative wire	1	
3	Nut M6	1	
4	Battery	1	

Instruction for the installation:
1. ① insert ④、②, then fix ①、④、② with ③.

Attention: Please be noted that the red cable should be connected with the positive lead. while black cable with negative lead when connecting.